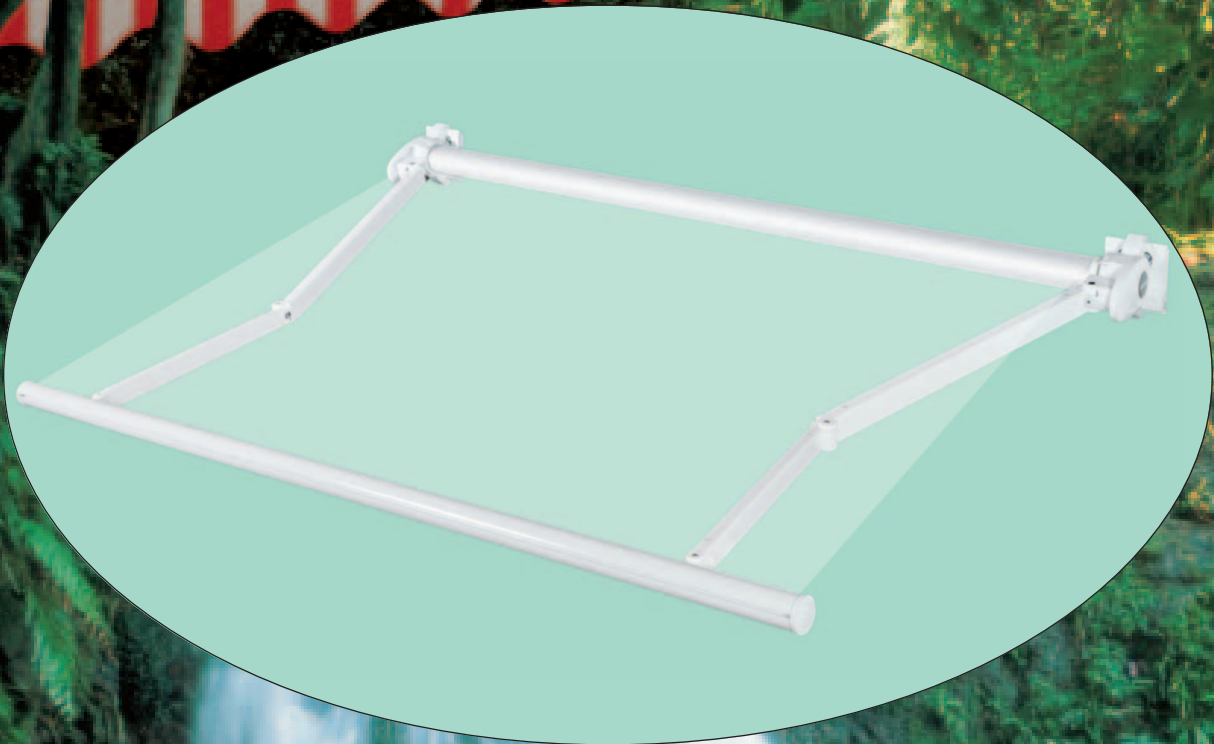


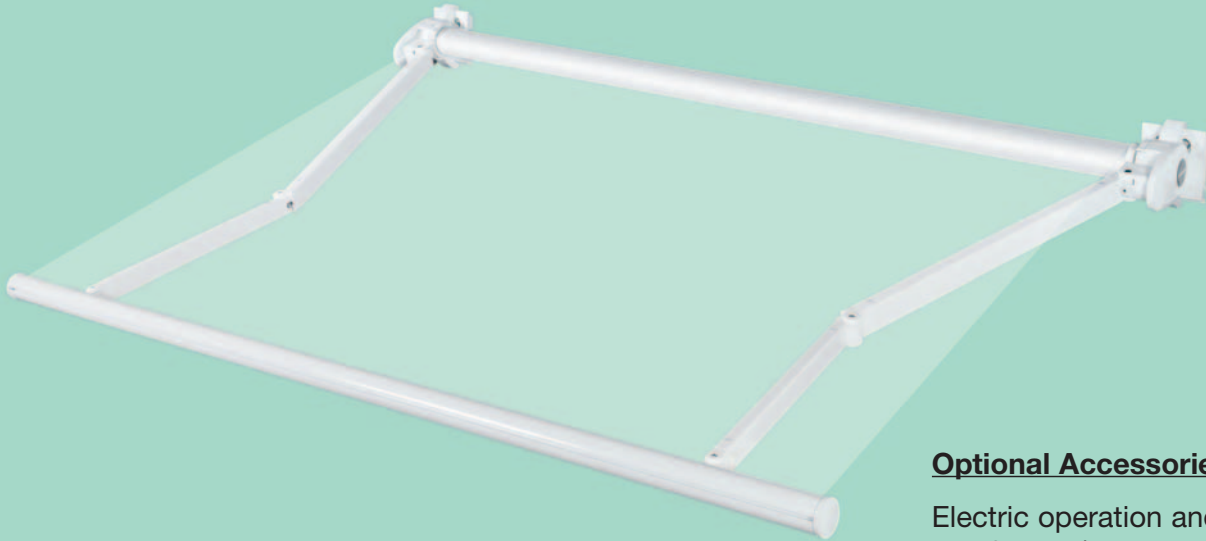
**markilux®**



**markilux® 911**  
**The Compact Awning In Proven markilux® Quality**

at a more than affordable price

# Compact, Basic Awning markilux® 911



## Optional Accessories:

Electric operation and controls  
Top fixture (at no extra cost)

- proven quality from markilux®, e.g. the **85 mm. roller**
- **compact, lightweight** construction
- **awning pre-assembled** and ready for installation
- attractive appearance by virtue of the **torque bar-free** design
- high **stability** due to the **new method of attaching the arms**
- Round steel-link chain, corrosion resistant
- the pitch can be adjusted **infinitely** and **precisely** up to an angle of **35°**
- **the design** of the awning (depending on the width) means that **slight deflection** of the profiles is possible
- **valance height 16 cm.**



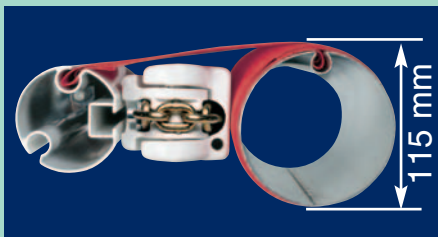
Attractive and elegant profile view, retracted, face fixture, with valance



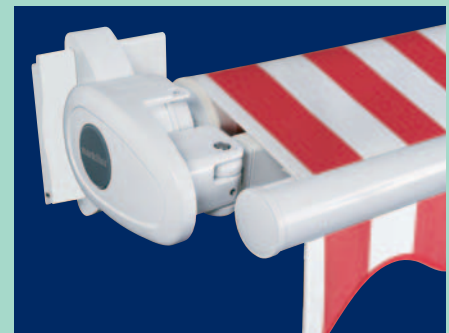
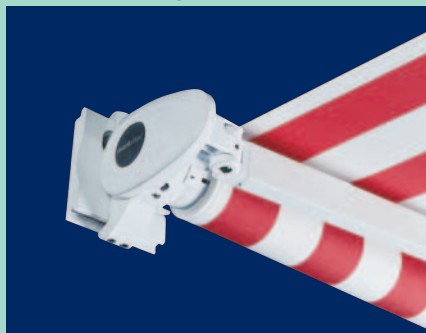
Top fixture at no additional cost



Pitch adjustment



Cross section



Face fixture bracket viewed in conjunction with the side cheek  
Variable fixture of the arm bearers is possible

We reserve the right to make alterations without prior notice.

# The Folding-arm Awning markilux® 911



Folding arms with chain link								Approx. handle revs.	Approx. extension time in sec. <sup>1)</sup>		
Dimensions	Standard widths in cm.	255	312	372	430	490	547	607	Gearbox 5:1	Standard motor	Rad.-contr. motor
	Arm length 150 cm								22	19	19
	Arm length 200 cm								30	25	25
	Arm length 250 cm	-							37	30	30
	Arm length 300 cm	-	-					-	45	35	35
No. of face fixture brackets	2								17 rpm <sup>2)</sup>	17 rpm <sup>2)</sup>	

- 1) **N.B.** Motor stops automatically after 3 – 4 minutes use to prevent overheating.  
2) **Nominal r.p.m.**  
It cannot be guaranteed that a bank of awnings will all run at the same speed. This is due to the tolerances in the r.p.m. of the motors.

Available Accessories	Manual operation winding handle: 110, 140, 160, 180, 220 cm	<input checked="" type="checkbox"/>
	Servo-assisted manual operation	<input checked="" type="checkbox"/>
	Motor drive recommended switch	<input checked="" type="checkbox"/> pressure switch
	Frame polyester powder coated in colour*	<input checked="" type="checkbox"/>
	Cover made of a brand make of Acrylic fibre or sunsilk	<input checked="" type="checkbox"/>

Not available: PVC fabrics (ERA, Mehler etc.), pitch adjustment gear, shadeplus, wall sealing profile, side blind, eaves fixture

## Manual operation (gearboxes employed)

universal joint	eye	gear reduction	end-stop with	without	worm gear	bevel gear	order number
	<input checked="" type="checkbox"/>	5:1	<input checked="" type="checkbox"/>			<input checked="" type="checkbox"/>	79784. „L“ * 79789. „R“ *

1 = black; 3 = white

## Motor drive

	Order No.
Standard motor up to 2 folding arms	797911
Radio-controlled motor up to 2 folding arms	763371

## Possible dimensional variations: (in mm.)

Overall width of the awning	Standard widths		Intermediate widths	
	Motor	Gear	Motor	Gear
Tolerances in the width	+0/-10	+5/-5	+0/-10	+0/-10
Tolerances in the extension	+40 / -40		+40 / -40	

## Awning cover sizes: (in mm.)

	Standard widths		Intermediate widths	
	Motor	Gear	Motor	Gear
Cover width = (deduct from awning width)	230		230	
Cover length = (add to awning extension)	300		300	

## Awning cover tolerances: (in mm.)

(Tolerances in the width and length of the cover)	From	To	Tolerances
	0	2000	+5 / -5
	2010	4000	+8 / -8
	4010	6000	+12 / -12
	6010	6070	+15 / -15

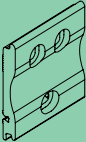
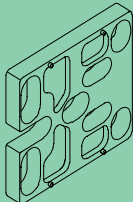
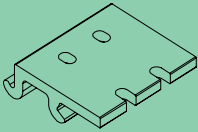
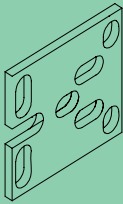
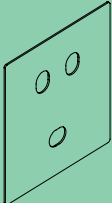
\* White: RAL 9016, brown: RAL 8019, metallic aluminium: RAL 9006. Other RAL colours are available. Lead times will be given on request.

- N.B.** Measure carefully! We will not take awnings back because of incorrect size. Awnings are made to measure. The arm length is measured with the awning tilted at 15° from the the centre of the roller over the cover to the leading edge of the front profile.  
Make a special note if an awning is to be fitted into a recess/reveal, and note the recess/reveal width separately.  
**The operation side should be given as if seen from the outside.**  
Please consult the special notes contained in the general information/markilux fabric collections.  
We reserve the right to make alterations without giving prior notice.

# The Folding-arm Awning markilux® 911



## Fixtures and Accessories

Part	Description	Part No.	Part	Description	Part No.
	Face fixture bracket 140 mm	79712.		Spacer plate wall/soffit 150 x 136 x 18 mm <b>N.B.! * 200 mm</b>	740831
	Top fixture bracket 140 mm	79751.		Spacer plate wall/soffit 150 x 136 x 8 mm	730551
				Decorative plate for external insulation 170 x 190 x 2 mm	79801.

. = insert RAL colour code no.

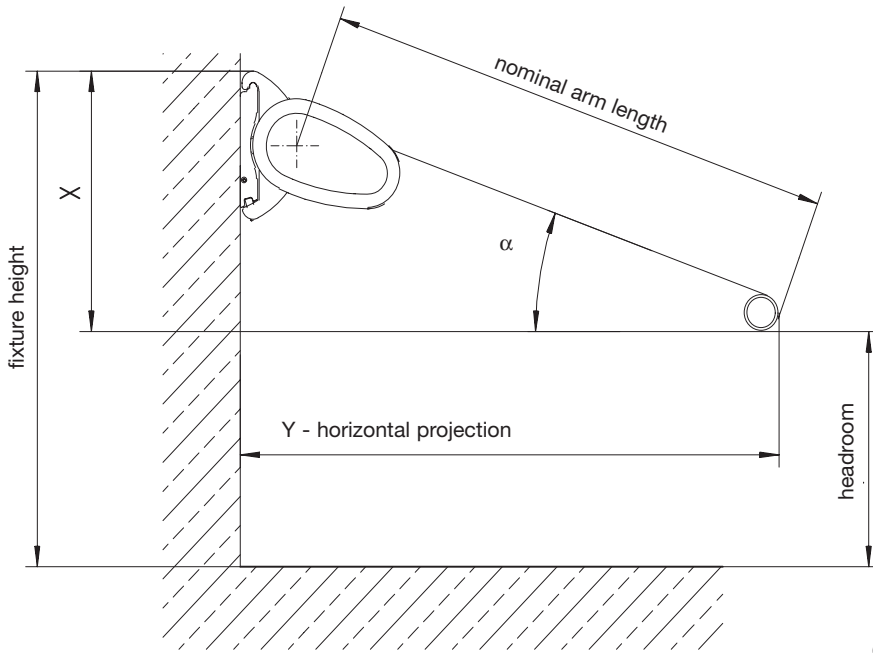
\* Recommended max. = xxx mm

# Important measurements for fitting markilux® 911:

Measurements may vary slightly. All dimensions in cm.

## Angle of pitch/walk-under height

headroom = fixture height - X

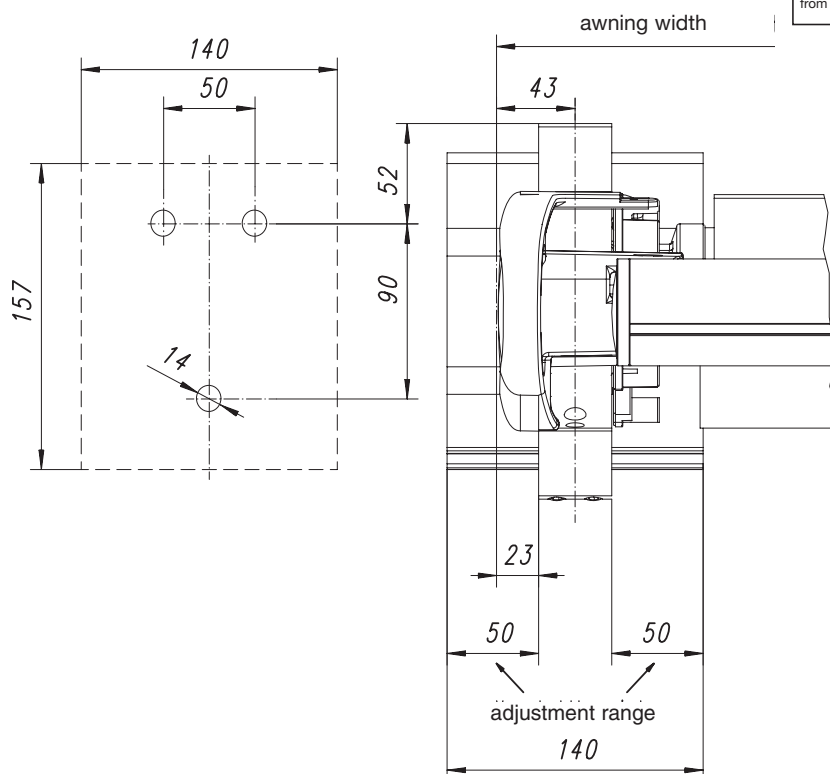


pitch $\alpha$	arm length in cm				
		150	200	250	300
5°	X	25	30	34	38
	Y	156	206	256	306
10°	X	38	47	55	64
	Y	155	204	254	302
15°	X	50	63	76	89
	Y	152	200	249	297
20°	X	63	80	97	114
	Y	148	195	242	289
25°	X	74	95	117	138
	Y	143	189	234	279
30°	X	86	111	136	161
	Y	137	181	224	267
35°	X	96	125	154	182
	Y	130	171	213	254

Minimum awning widths at the given arm lengths.

	2 folding arms			
arm length in cm	150	200	250	300
awning width in cm	190	250	310	370
In the case of special arms (surcharge), from an arm length of 200 cm	182	236	290	344

## Fixture range of the face fixture brackets (dimensions in mm)



# How to fit the markilux® 911:

