

**markilux®**



**markilux® 1300**  
**The Classical Folding-arm Awning**  
that sets an incredibly high standard

# Folding-arm Awning markilux® 1300

**NEW** Now with an arm length of 400 cm!



markilux® 1300



Top fixture



Round steel-link chain, corrosion resistant



Pitch adjustment - simple and easy



markilux® 1300 face fixture

## Optional Accessories:

- Shadeplus
- Electric operation and controls
- Pitch adjustment gear
- Top fixture

## A maximum of security

- all moving parts are made of **drop-forged aluminium**
- powder-coated, galvanised steel torque bar, 40 x 40 mm
- the fixture and roller support brackets are made of **extruded aluminium**
- immensely strong aluminium front profile (ø 50 mm.) and steel roller (ø 85 mm.)
- powerful arms provide for a taut cover
- high lateral stability of the awning
- **Teflon-coated bushes** give maintenance-free arm performance
- all screws and components are made of **corrosion-resistant stainless steel**
- get to grips with real quality - a markilux® winding handle
- also available with greater projection than width, thanks to special arm technology

We reserve the right to make alterations without prior notice.

# The markilux® 1300 Classical Folding-arm Awning



Folding arms with steel-link chain(s)											Approx. handle revs. Gearbox 5 : 1	Approx. extension time in sec. <sup>7)</sup>		
Dimensions	Standard widths in cm.	250	300	350	400	450	500	550	600	650	700	Standard motor	Rad.-contr. motor	
	Arm length 150 cm.											22	23	19
	Arm length 200 cm.											30	30	25
	Arm length 250 cm.											37	36	30
	Arm length 300 cm.	-	-									45	43	35
	Arm length 350 cm. <sup>2) 3)</sup>	-	-	-								52	49	41
	Arm length 400 cm. <sup>1) 2) 4)</sup>	-	-	-	-						<sup>6)</sup>	-	55	47
	No. of face fixture brackets	2			4			5						
No. arms/rolltex bearings	2 / 0		2 / 0			3 / 1 <sup>2) 5)</sup>						14 rpm <sup>8)</sup>	17 rpm <sup>8)</sup>	

- 1) Only available with motor. Arms with double steel-link chains
- 2) not possible with oversized material.
- 3) the shadeplus is **only** available at **350 cm** arm length up to a width of **550 cm**
- 4) A shadeplus is not available at an arm length of 400 cm
- 5) awnings with 3 or more arms will **only** be supplied with a motor
- 6) **N.B.** Smallest awning width **635 cm**
- 7) **N.B.** Motor stops automatically after 3 – 4 minutes use to prevent overheating
- 8) **Nominal r.p.m.**  
It cannot be guaranteed that a bank of awnings will all run at the same speed. This is due to the tolerances in the r.p.m. of the motors.

Available Accessories	Manual operation winding handle: 110, 140, 160, 180, 220 cm	<input checked="" type="checkbox"/>
	Servo-assisted manual operation	<input checked="" type="checkbox"/>
	Motor drive switch recommended	<input checked="" type="checkbox"/> pressure switch
	Shadeplus	<input checked="" type="checkbox"/> split in the middle from 501 cm.
	Pitch adjustment gear	<input checked="" type="checkbox"/> up to an arm length of 300 cm for awnings with 2 arms
	Side blind	<input checked="" type="checkbox"/>
	Frame polyester powder coated as standard in colour*	<input checked="" type="checkbox"/>
	Cover made of a brand name of acrylic material or sunsilk	<input checked="" type="checkbox"/>
	Greater arm length than width	<input checked="" type="checkbox"/>
	PVC cover	<input checked="" type="checkbox"/> up to a width of 600 cm. and an arm length of 250 cm.

## Manual operation (gearboxes employed)

universal joint	eye	gear reduction	end-stop with/without	worm gear	bevel gear	order number
	<input checked="" type="checkbox"/>	5 : 1	<input checked="" type="checkbox"/>		<input checked="" type="checkbox"/>	72167. „L“ 72168. „R“

1 = black; 3 = white

## Motor drive

	Order No.
Standard motor up to 2 folding arms	776111
Standard motor up to 4 folding arms	721161
Standard motor up to 6 folding arms	721171
Radio-controlled motor up to 2 folding arms	763371
Radio-controlled motor up to 4 folding arms	763381
Radio-controlled motor up to 6 folding arms	763391

## Possible dimensional variations: (in mm.)

Overall width of the awning	Standard widths		Intermediate widths	
	Motor	Gear	Motor	Gear
Tolerances in the width	+0/-10	+20/-0	+0/-10	+0/-15
Tolerances in the extension	+40 / -40		+40 / -40	

## Awning cover sizes: (in mm.)

	Standard widths		Intermediate widths	
	Motor	Gear	Motor	Gear
Cover width = (deduct from awning width)	150		140	170
Cover length = (add to awning extension)	130			

## Awning cover tolerances: (in mm.)

(Tolerances in the width and length of the cover)	From	To	Tolerances
	0	2000	+5 / -5
	2010	4000	+8 / -8
	4010	6000	+12 / -12
	6010	7000	+15 / -15

Not available: motorised shadeplus

\* White: RAL 9016, brown: RAL 8019, metallic aluminium: RAL 9006, light ivory: RAL 1015. Other RAL colours are available. Lead times will be given on request.

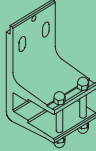
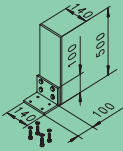
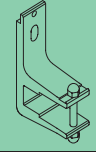

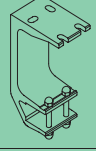

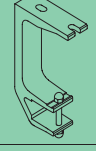
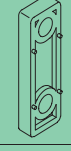
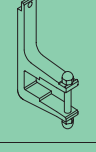
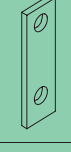
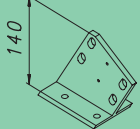
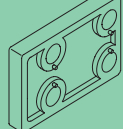
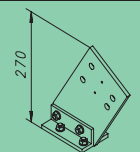

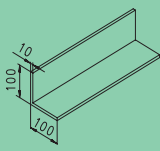
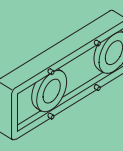
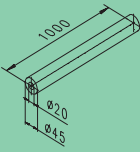
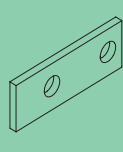
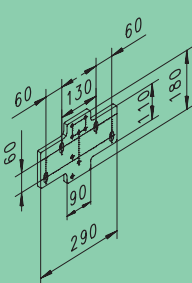
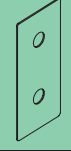
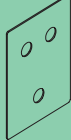
## N.B.

Measure carefully! We will not take awnings back because of incorrect size. Awnings are made to measure. The arm length is measured with the awning tilted at 15° from the wall over the cover to the leading edge of the front profile. The shadeplus drop is measured from the bottom edge of the shadeplus profile to the bottom edge of the valance profile. Coupled awnings can be supplied up to three units wide with a maximum of six arms (only motorised). They can be fitted with junction rollers except when the arm length is the maximum for the width of each awning. One-piece covers on request. There is a chance of the pattern not matching where junction rollers are concerned. If coupled awnings are fitted into a recess or reveal, the overall width of the coupled awning must be 6 cm. less than the width of the opening to allow the awnings to be coupled. Make a special note if an awning is to be fitted into a recess/reveal, and note the recess/reveal width separately. **The operation side should be given as if seen from the outside.** Please consult the special notes contained in the general information/markilux fabric collections. We reserve the right to make alterations without giving prior notice.

# The markilux® 1300 Classical Folding-arm Awning



## Fixtures and Accessories

Part	Description	Part No.	Part	Description	Part No.
	Face fixture bracket assembly 90 mm	74100.		Flat and angled bracket for eaves fixture	764900 machine finish
	Face fixture bracket assembly 45 mm	75862.		Spacer plate wall 90 x 200 x 18 mm <b>N.B.! * 200 mm</b>	758401
	Top fixture bracket assembly 90 mm	75860.		Spacer plate wall 90 x 200 x 8 mm	730561
	Top fixture bracket assembly 45 mm	75863.		Spacer plate wall 90 x 200 x 18 mm <b>N.B.! * 200 mm</b>	730601
	Eaves fixture bracket assembly, 25 mm	70321.		Spacer plate wall 45 x 200 x 8 mm	730511
	Eaves fixture bracket 140 mm	76400.		Spacer plate soffit 140 x 90 x 18 mm <b>N.B.! * 200 mm</b>	730801
	Eaves fixture bracket assembly 270 mm	76403.		Spacer plate soffit 140 x 90 x 8 mm	730541
	Angled profile 100 x 100 mm available by the metre undrilled	793800 machine finish 79380.		Spacer plate soffit 145 x 50 x 18 mm <b>N.B.! * 200 mm</b>	730501
	Stand-off tube 45 x 12,5 mm <b>N.B.! * 120 mm</b>	701653 light grey		Spacer plate soffit 145 x 50 x 8 mm	730521
	Fixture plate for face fixture bracket	78195.		Decorative plate for external insulation 85 x 240 x 2 mm	71503.
				Decorative plate for external insulation 130 x 240 x 2 mm	71505.

. = insert RAL colour code no.

\* Recommended max. = xxx mm

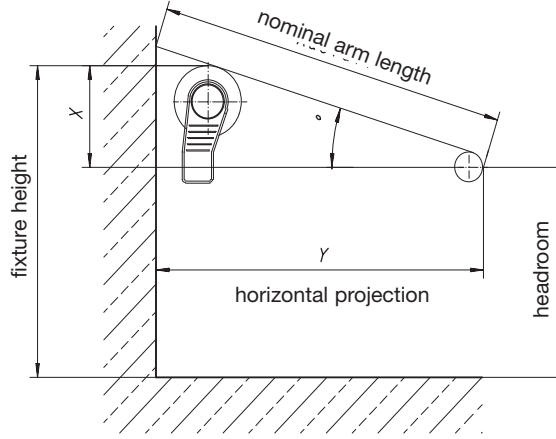
We reserve the right to make alterations without giving prior notice.

# Important measurements for fitting the markilux® 1300:

Measurements may vary slightly

## Angle of pitch/walk-under height

headroom = fixture height - X

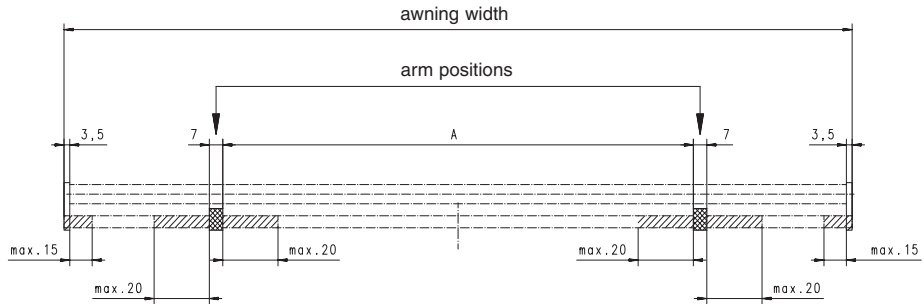


arm length in cm		150	200	250	300	350	400
5°	X	12	16	22	25	29	33
	Y	149	199	249	299	348	398
10°	X	24	33	42	51	58	67
	Y	148	197	246	295	344	393
15°	X	36	49	62	75	87	100
	Y	145	193	242	290	338	386
20°	X	48	65	82	99	116	133
	Y	141	188	235	282	329	376
25°	X	59	80	101	122	143	164
	Y	136	181	227	272	317	362
30°	X	69	94	119	144	169	194
	Y	130	173	217	260	303	346
35°	X	79	108	136	165	195	225
	Y	123	164	205	246	287	328
40°	X	87	120	152	184	218	250
	Y	115	153	192	230	268	306
45°	X	95	131	166	201	240	275
	Y	106	141	177	212	247	283
50°	X	103	141	179	218	260	298
	Y	96	128	160	193	225	257
55°	X	109	150	192	232	278	319
	Y	86	115	143	172	200	229

## Bracket positions (2 arms)

(2 arms)

If the brackets cannot be positioned in accordance with this table, make sure the actual measurements are noted on the order form!



awning width in cm.	arm length in cm.						no. of brackets
	150	200	250	300	350	400	
250	155	205	—	—	—	—	2
251 - 300	205	205	255	—	—	—	2
301 - 350	240	240	255	305	—	—	2
351 - 400	275	275	275	305	355	—	2
401 - 450	310	310	310	310	355	405	2
451 - 500	345	345	345	345	375	405	2
501 - 550	375	375	375	375	375	405	4
551 - 600	415	415	415	415	415	415	4
601 - 650	450	450	450	450	—	—	4
minimum width / gear	180	230	280	330	380	430	
minimum width / motor	176	226	276	326	380	426	
minimum width PAG / gear	200	250	300	350	—	—	
minimum width PAG / motor	198	248	298	348	—	—	

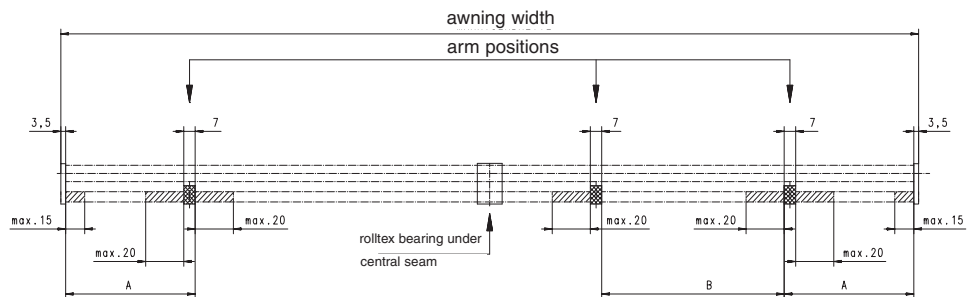
In the case of special arms (surcharge), from an arm length of 200 cm: minimum width - 13 cm

- = range within which brackets should be fixed
- = coupled units cannot be fitted with a jockey roller!
- = coupled units can be fitted with a jockey roller where standard sizes are concerned. Please ask in the case of intermediate widths

\* it is particularly important that these measurements are adhered to in the case of these awning sizes!

## Bracket positions (3 arms)

(3 arms)

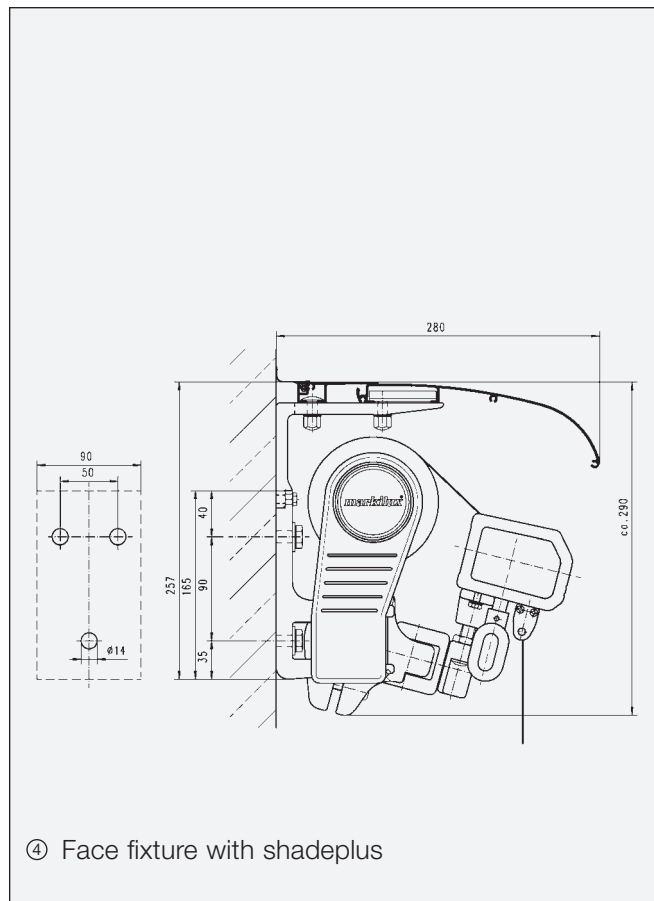
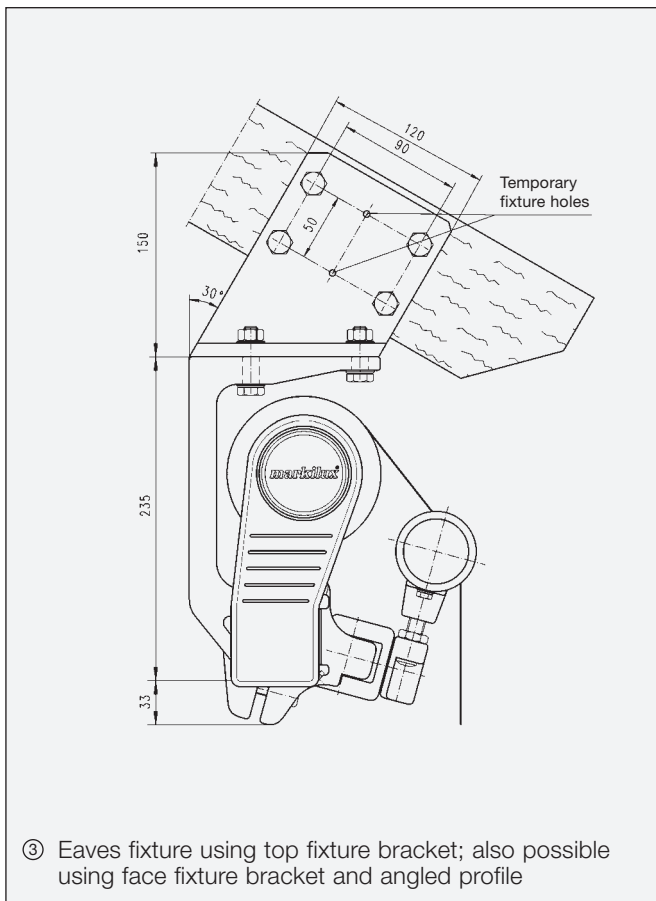
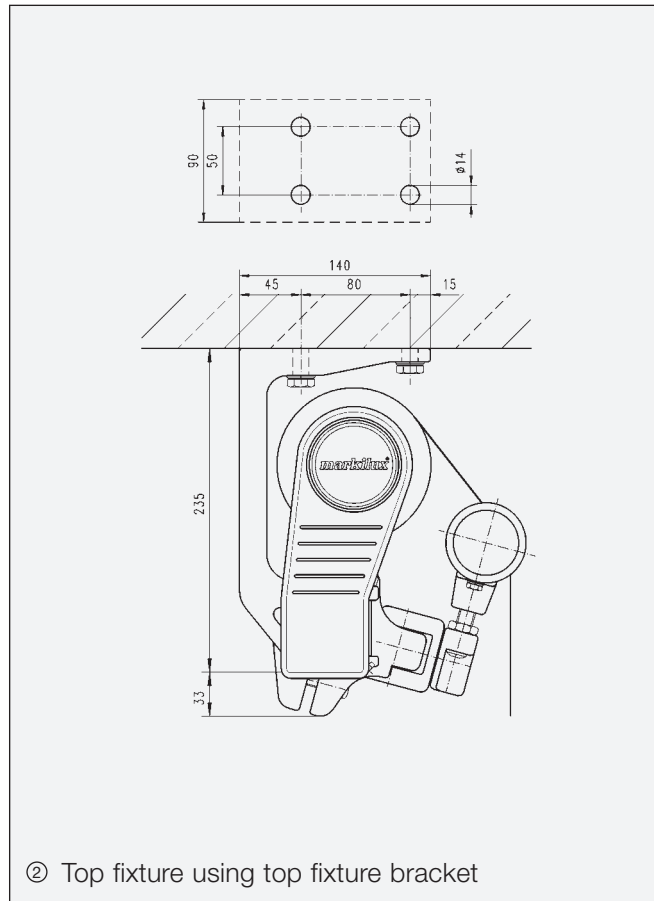
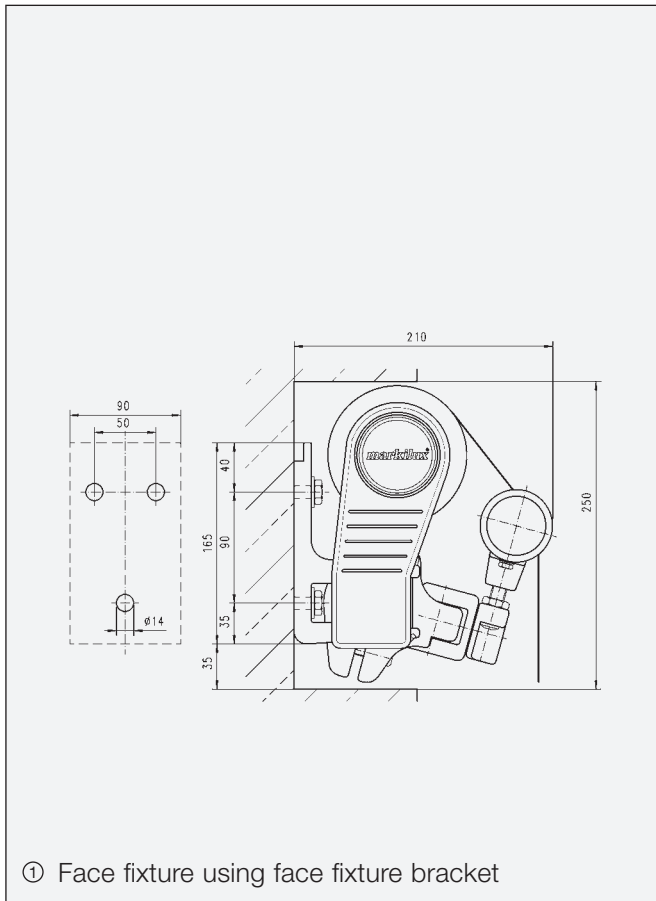


awning width in cm.	arm length in cm.						measurement B cm.						no. of brackets	
	150	200	250	300	350	400	150	200	250	300	350	400		
601 - 650	—	—	—	—	30	—	—	—	—	—	—	193	—	5
635 - 650	—	—	—	—	10	—	—	—	—	—	—	209	—	5
651 - 700	55	55	55	55	40	18	240	225	210	200	190	204	—	5
minimum width / motor	266	340	418	490	565	635								

In the case of special arms (surcharge), from an arm length of 200 cm: minimum width - 20 cm

- = range within which brackets should be fixed
- = coupled units cannot be fitted with a jockey roller!
- = coupled units can be fitted with a jockey roller where standard sizes are concerned. Please ask in the case of intermediate widths

# How to fit the markilux® 1300:



# How to fit the markilux® 1300:

