



markilux 620 zip

markilux 660 zip

markilux 680 zip

markilux 689 zip

Technical Information

markilux 660 zip

Tensioned Vertical Cassette Blind with Zip System – particularly stable in windy conditions – without cover gap – optionally with fly screen



markilux

markilux 660 zip

Standard



Optionally with additional fly screen



rated to
wind resistance class 3 according to
EN 13561
corresponding to Beaufort force 6

above and beyond the European
standard, the wind stability can be
guaranteed to Beaufort force 8

markilux 660 zip

Tensioned Vertical Cassette Blind with Zip System – particularly stable in windy conditions – without cover gap – optionally with fly screen



standard: with awning fabric – when fully open the guide tracks do not extend past the bottom profile



optional: with closed frame at the bottom, which simplifies installation in the case of face fixture



optional: with fly screen in an additional cassette, which also has the effect of closing the frame at the bottom

Design features

- vertical blind with closed drive-belt system; ideal protection from the sun, wind and inquisitive glances
- attractive completely closed appearance - the zip system does away with the annoying gap between the blind cover and the tracks
- compact, square and discreet, the cassette profile made of extruded aluminium is only 110 mm high and 95 mm deep
- when retracted both the cover and the optional fly screen are protected from the weather by their cassettes, which enclose them completely
- the fixing screws are hidden at the front by a second profile that is simply clipped on
- no visible cover seam at the bottom profile

Technical highlights

- with zip system – during extension the awning cover or fly screen is connected laterally to the guide tracks
- the awning cover is guided along sturdy aluminium guide tracks; the partly elastic interior rail ensures optimum cover tension and noise reduction in windy conditions
- fitted with a hard-wired motor as standard
- the combination of the closed drive-belt system and special vario-belts ensure optimum cover tension
- fixture of the guide tracks directly to the wall, the window frame or the reveal
- when fully open the tracks do not extend past the front profile
- when fitted with a fly screen the frame is closed at the bottom

Additional features

- optionally fitted with a fly screen, which can be found in the integrated fabric cassette for the fly screen at the bottom
- the tension in the fly screen is provided by an internal spring mechanism
- optionally the frame can be closed by an additional profile at the bottom even if only the version with awning cover has been selected – the bottom profile is then fitted with a brush seal
- radio-controlled motor with radio remote control for ease of use
- an easily installed, radio control sun and wind sensor guarantees comfort and a degree of safety
- awning available in non-standard RAL colours

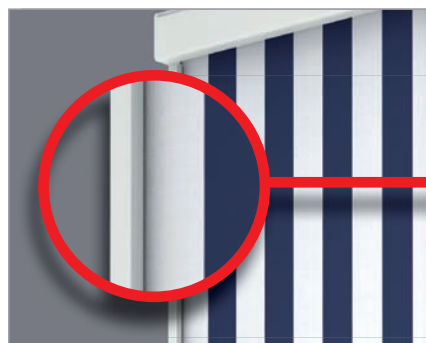
markilux 620 zip

markilux 660 zip

markilux 680 zip

markilux 689 zip

Technical Information



the zip system gives a completely closed appearance – without annoying gap between cover and guide track

Standard specification

- motor
- zip system
- bonded awning cover
- sunsilk snc fabric
- sunsilk snc signature fabric
- acrylic fabric 34
- widely woven acrylic fabric
- transolair fabric

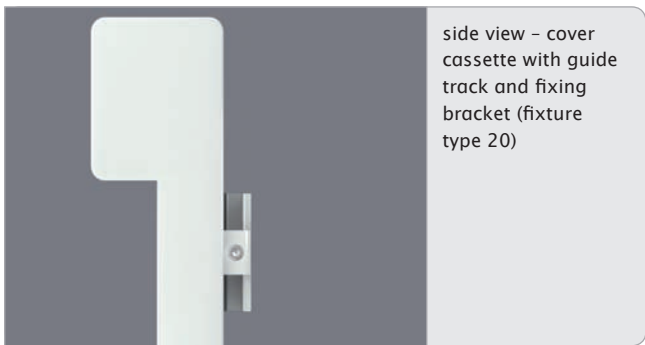
Standard frame colours

- traffic white - RAL 9016
- metallic aluminium - RAL 9006
- grey brown - similar to RAL 8019

Optional accessories

- radio-controlled motor with remote control
- bottom profile to complete the frame
- fly screen
- light and wind sensor
- special powder-coated finish

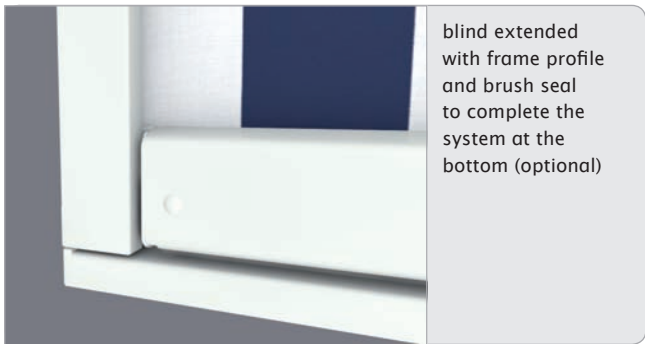
markilux 660 zip



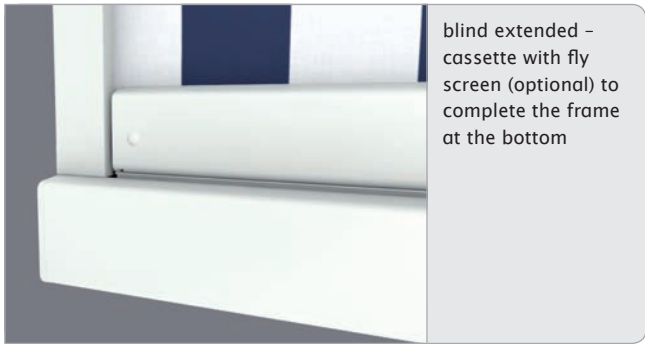
side view - cover cassette with guide track and fixing bracket (fixture type 20)



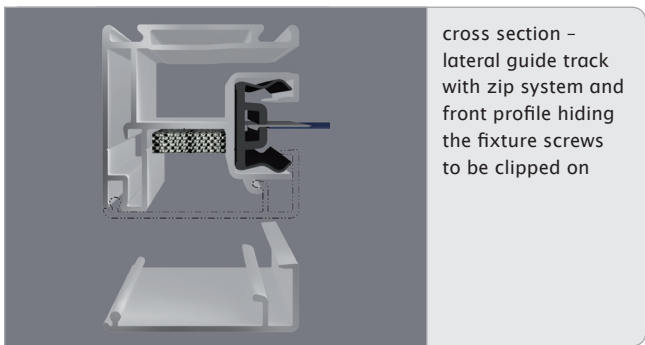
bottom profile with additional fly screen (optional)



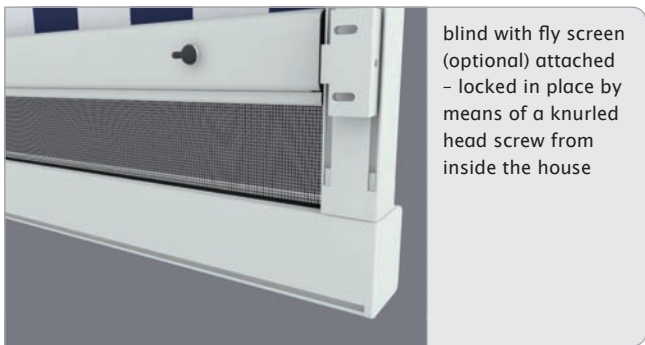
blind extended with frame profile and brush seal to complete the system at the bottom (optional)



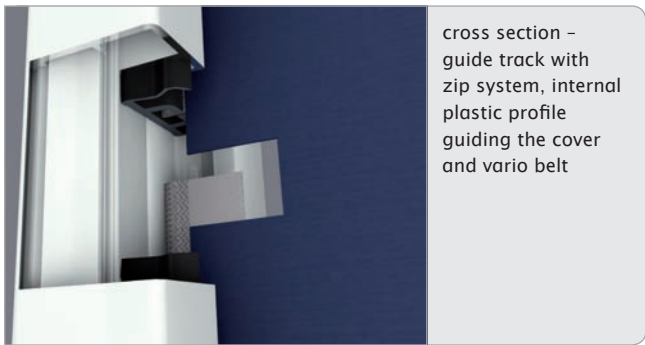
blind extended - cassette with fly screen (optional) to complete the frame at the bottom



cross section - lateral guide track with zip system and front profile hiding the fixture screws to be clipped on



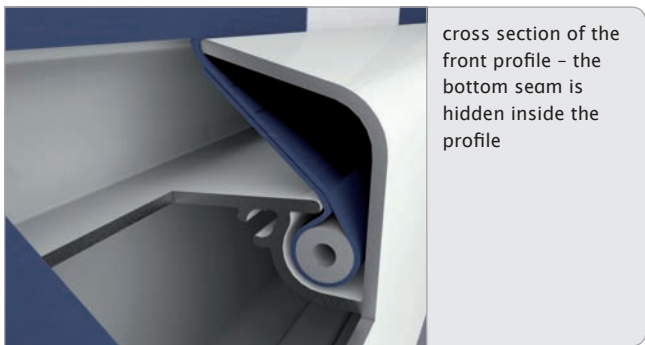
blind with fly screen (optional) attached - locked in place by means of a knurled head screw from inside the house



cross section - guide track with zip system, internal plastic profile guiding the cover and vario belt



blind with fly screen (optional) unattached



cross section of the front profile - the bottom seam is hidden inside the profile


Dimensions and configuration options

		fixture / order width							minimum fixture width		
		75	100	125	165	205	245	285			300
overall width		+ 4.8	+ 4.8	+ 4.8	+ 4.8	+ 4.8	+ 4.8	+ 4.8	+ 4.8	hard-wired motor	radio-controlled motor
unit height	150 ¹⁾									59	74.5
	200										
	250										
	300										

1) smallest possible unit height 65 cm; smallest possible unit height with fly screen 75 cm

dimensions in cm

 = available, optionally with fly screen

 = available

Operation	
manual operation; handle with bayonet fitting	-
manual operation from inside the building	-
manual operation from the rear	-
motor	●
radio-controlled motor	○*
Covers	
sunsilk snc (fabric series 324xx/329xx)	●
sunsilk snc signature (fabric series 369xx)	●
acrylic 34 (fabric series 341xx-347xx)	●
widely woven acrylic (fabric series 349xx)	●
sunsilk perla FR (fabric series 374xx/379xx)	○
perfortex (fabric series 333xx)	-
transolair (fabric series 339xx)	● ¹
Soltis 92	○ ²
Miscellaneous	
light and wind sensor	○
cover profiles for gap between tracks and cover	-
bottom profile to complete the frame	○
fly screen	○
wedge-in accro bars	-
markilux PVC windows	-
Coupled units (please refer to the section on awning installation)	
coupled unit, 2 fields	-
coupled unit, 3 fields	-

- = standard specification
- = optional accessories
- = not available
- * = radio-controlled motor using 433 MHz technology
- ¹ = with vertical seams from a width of 255 cm
- ² = with vertical seams from a width of 180 cm

Housing tolerances / Awning cover dimensions	width	projection
housing tolerance	+5 / -10	
awning cover width = fixture width less	32*	
blind / awning cover length = unit height less		50 <small>standard specification</small> 75 <small>with bottom profile to complete the frame</small> 138 <small>with fly screen</small>

* by analogy this is valid also for the version with optional fly screen





dimensions in mm

Fixture / order width definition: The order width is the awning fixture width i.e. the measurement from fixture point to fixture point. The overall width is larger than the fixture width. The tolerance in the width is +0 / -10 mm.

Extension when using a motor takes approximately 15 seconds per metre.

N.B.! If the motor is used continuously it will stop automatically after 3 to 4 minutes to prevent overheating.

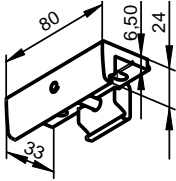
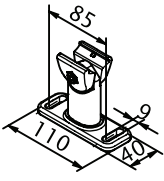
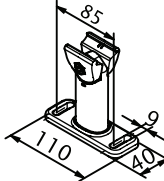
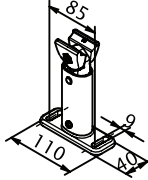
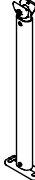
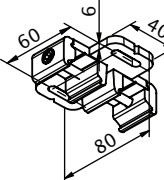
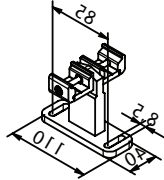
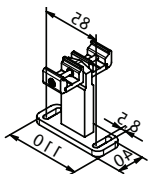
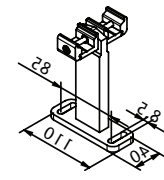
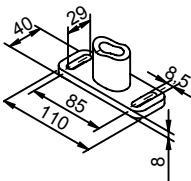
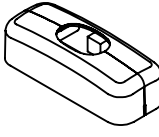
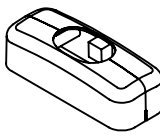
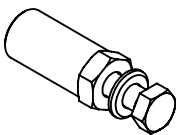
In the case of a bank of awnings operating simultaneously, the same speed of rotation of the motors cannot be guaranteed because of the internal tolerances of the motors.

Frame colours		
traffic white - RAL 9016		●
white aluminium - RAL 9006		●
grey brown - similar to RAL 8019		●
special powder-coated finish		○

Colours similar to the RAL chart - these may differ slightly from those depicted in both hue and finish.

Fixtures, fittings and installation accessories

markilux 660 zip

 <p>Fixture type 10 Flat track bracket</p> <p>height 15 mm</p> <p>78548.</p>	 <p>Fixture type 20 Track bracket with adjustable head</p> <p>height 80 mm</p> <p>78451.</p>	 <p>Track bracket with adjustable head</p> <p>height 100 mm</p> <p>78538.</p>
 <p>Track bracket with adjustable head</p> <p>height 140 mm</p> <p>78539.</p>	 <p>Track bracket with adjustable head</p> <p>see "Fixture dimensions of adjustable head track brackets"</p> <p>height 100 - 500 mm</p> <p>78540.</p>	 <p>Fixture type 10 Double flat track bracket, 2 single units</p> <p>2 single units</p> <p>73101.</p>
 <p>Fixture type 20 Double track bracket with adjustable head, 2 single units</p> <p>height 80 mm</p> <p>73102.</p>	 <p>Double track bracket with adjustable head, 2 single units</p> <p>height 100 mm</p> <p>73103.</p>	 <p>Double track bracket with adjustable head, 2 single units</p> <p>height 140 mm</p> <p>73104.</p>
 <p>Fixture dimensions of swivel head track brackets</p> <p>76603.</p>	 <p>Decorative cap assembly for track bracket</p> <p>for: 78081., 78086., 78094., 78247., 78451., 78538., 78543., 78454., 78663.</p> <p>76603.</p>	 <p>Decorative cap assembly for track bracket</p> <p>for: 78082., 78087., 78095., 78105., 78107., 78108., 78251., 78539., 78540., 78545., 78665., 78664., 78685.</p> <p>76604.</p>
 <p>Reducing bolt assembly M 10 - M 6 / SW 13</p> <p>30 mm in length</p> <p>(see the section „Technical Information“ in the Vertical Blinds & Awnings Manual)</p> <p>753211</p>		



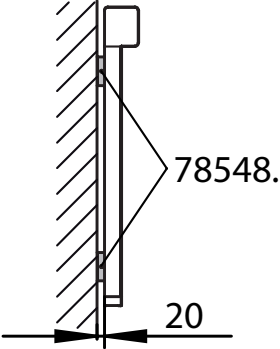
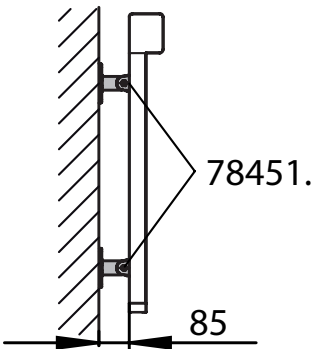
The track fixture brackets for the markilux 660 zip are the same as those used for vertical blinds and awnings (the one exception being the track bracket for 2 single units). Constraints in the design mean that, in comparison with other markilux vertical blinds and awning (without zip system), the track is 5 mm further away from the substrate, in this respect please see "How to install the markilux 660 zip".

. = please insert the RAL No. (please refer to the section on "Coatings")

Fixture combinations

all brackets incur a surcharge

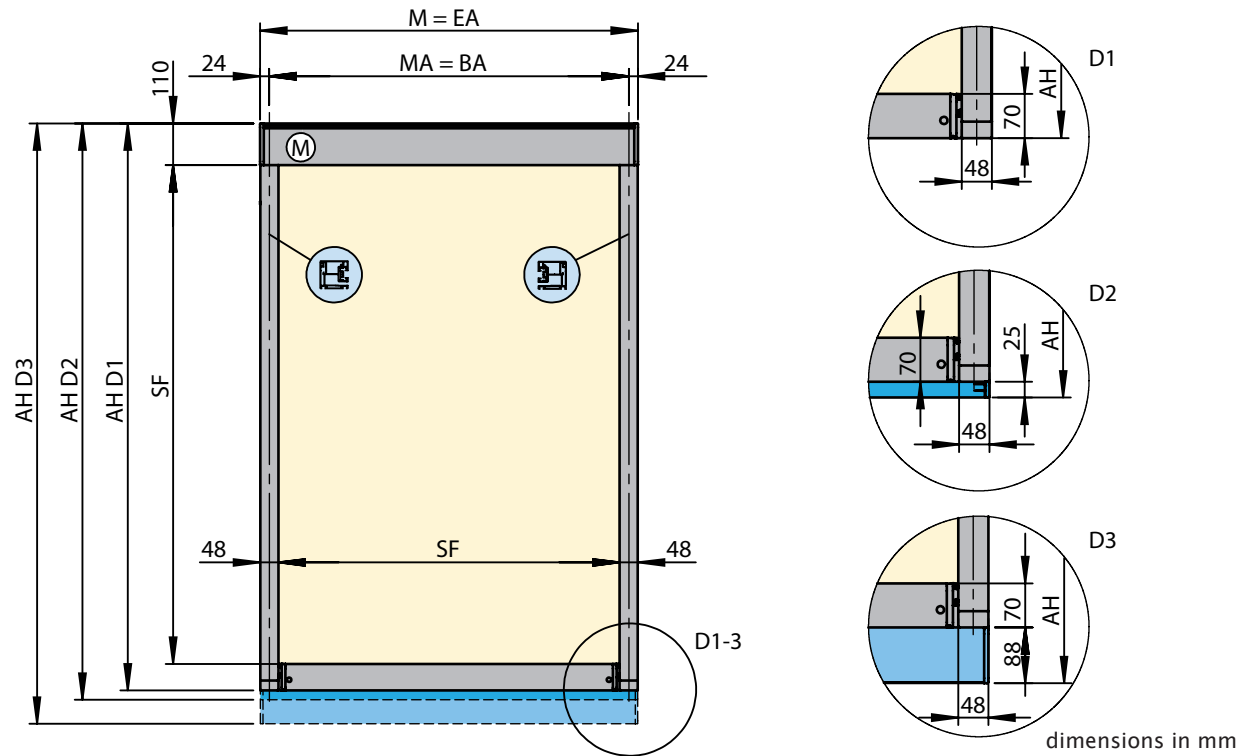
Fixture type

8		<ul style="list-style-type: none"> • face fixture number of drill holes per guide track 2 drill holes up to a unit height of 1200 mm 3 drill holes up to a unit height of 2200 mm 4 drill holes up to a unit height of 3000 mm
9		<ul style="list-style-type: none"> • lateral fixture in the reveal number of drill holes per guide track 2 drill holes up to a unit height of 1200 mm 3 drill holes up to a unit height of 2200 mm 4 drill holes up to a unit height of 3000 mm
10		<ul style="list-style-type: none"> • 2 fixture brackets per guide track
20		

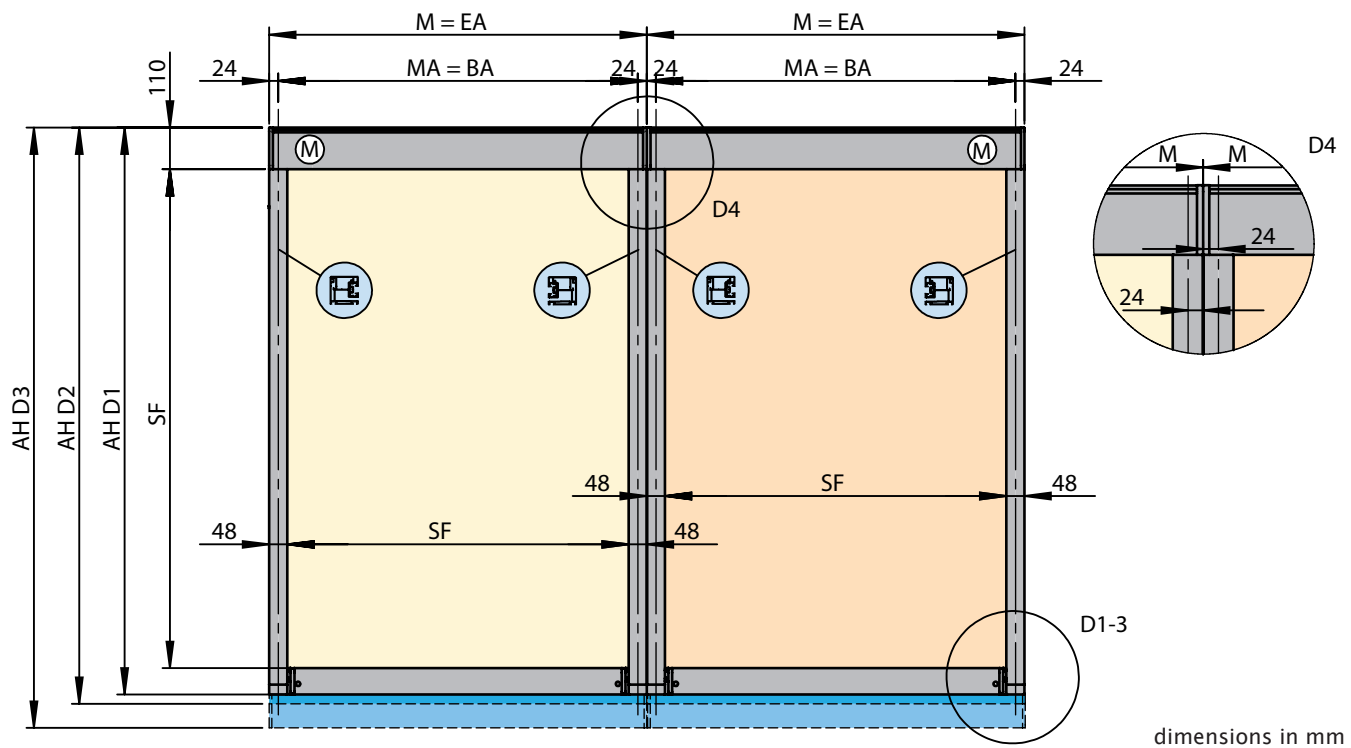
Individual bracket combinations - see "Fixtures, fittings and accessories".

How to install the markilux 660 zip

single unit, 1 motor



2 single units, 2 motors

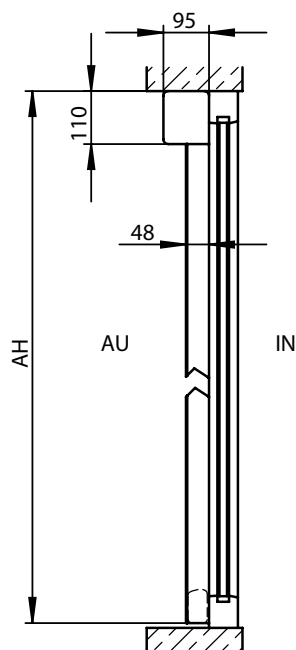


- EA = single unit
- M = overall blind width
- MA = blind fixture width = distance between fixing points when using brackets (fixture combination 10, 20)
- BA = distance between fixing points when using brackets (fixture combination 10, 20)
- AH = unit height = order height
- SF = visible cover length
- Ⓜ = motor
- D 1 = detail of standard version
- D 2 = detail of version with optional bottom profile to complete the frame
- D 3 = detail of version with optional fly screen
- D 4 = detail of the separation between 2 single units

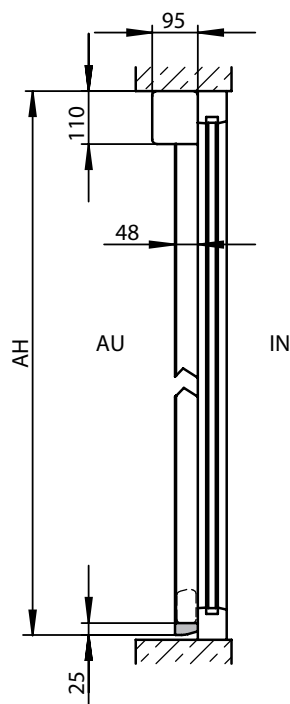
How to install the markilux 660 zip

Dimension overview

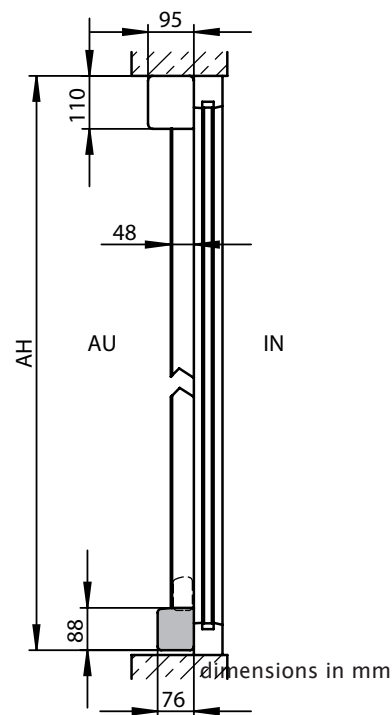
Standard



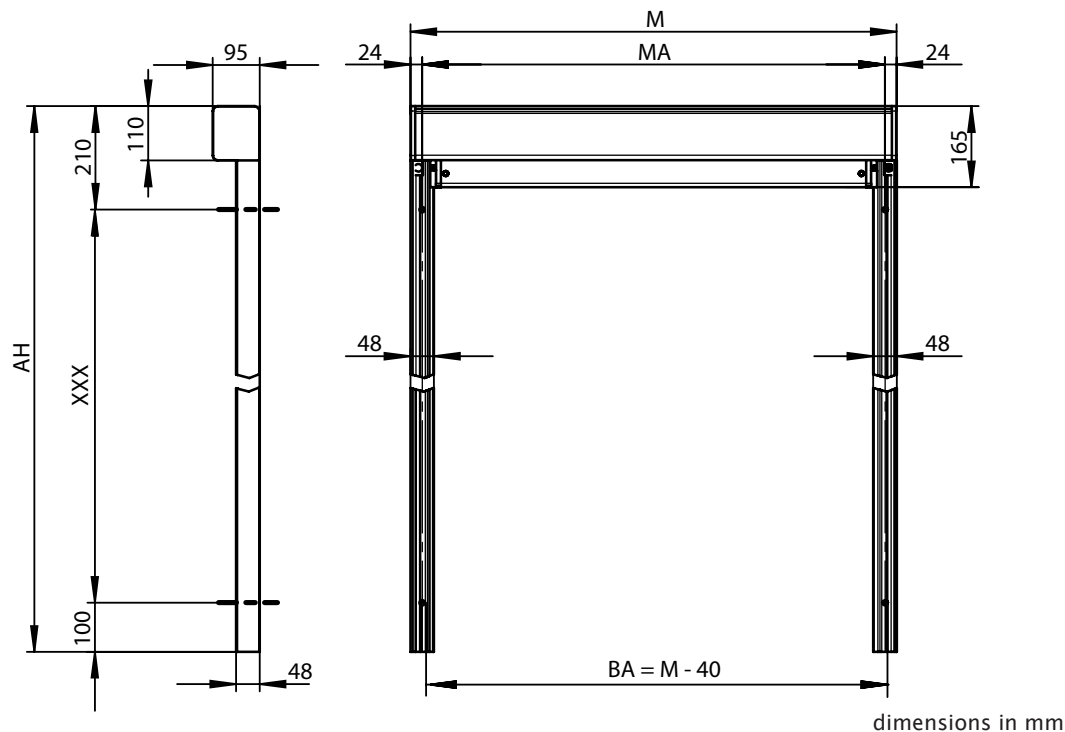
optionally with completely sealed frame at the bottom



optionally with fly screen



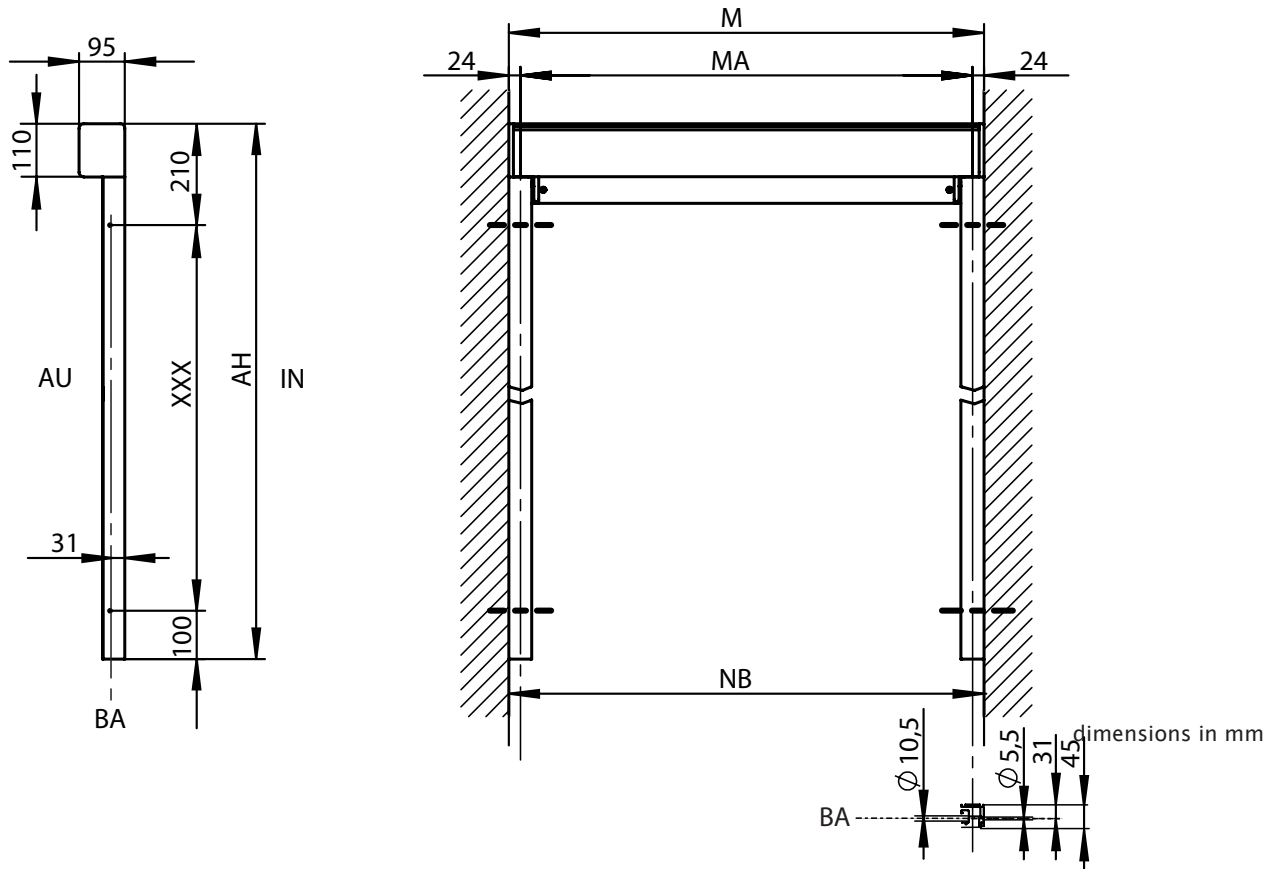
Fixture type 8, face fixture



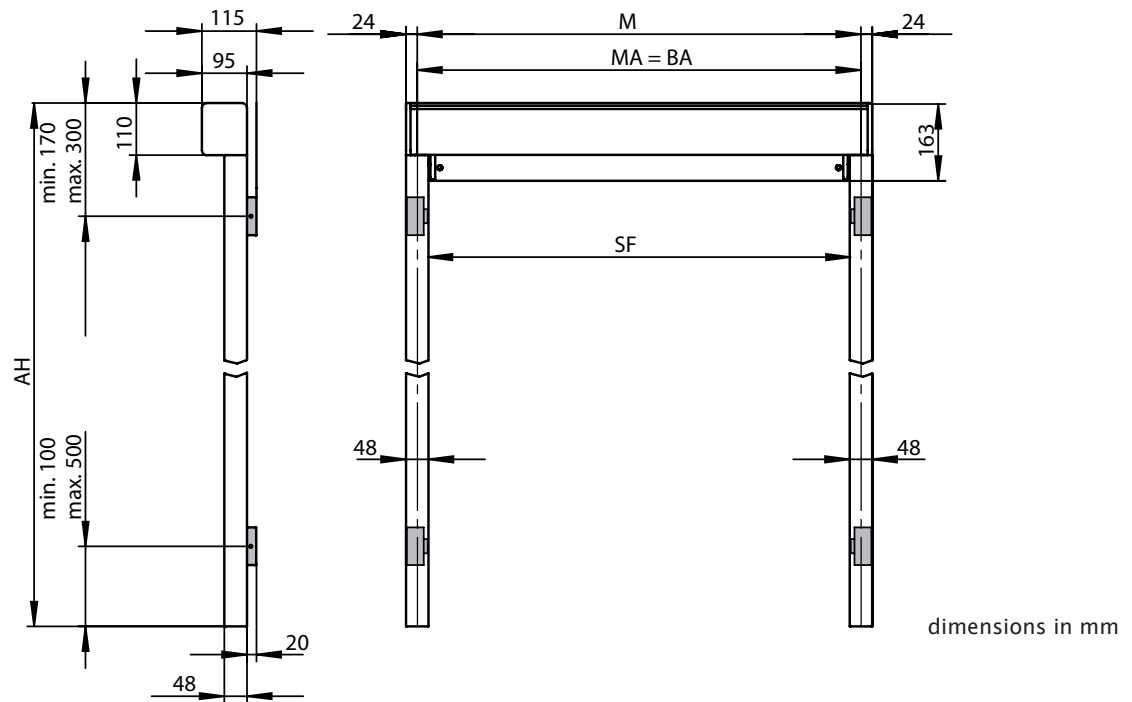
- AH = unit height = order height
- M = overall blind width
- AU = exterior
- IN = interior
- MA = awning fixture width = order width
- XXX = even drill hole distribution
- BA = distance between fixing points when using fixture type 8 = overall awning width - 40 mm

How to install the markilux 660 zip

Fixture type 9, lateral fixture to the window reveal



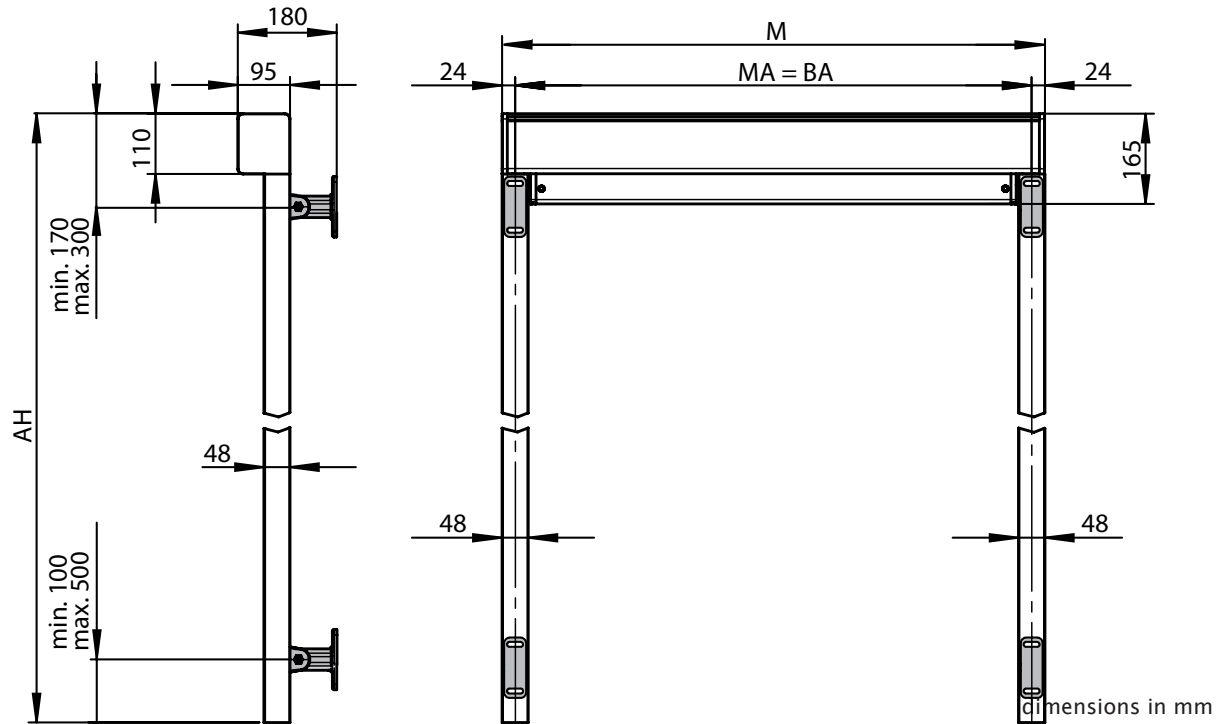
Fixture type 10 (2 fixture brackets per guide track)



- M = overall blind width
- MA = awning fixture width = order width
- AH = unit height = order height
- BA = width between fixing points
- min. = minimum
- max. = maximum
- SF = visible cover length

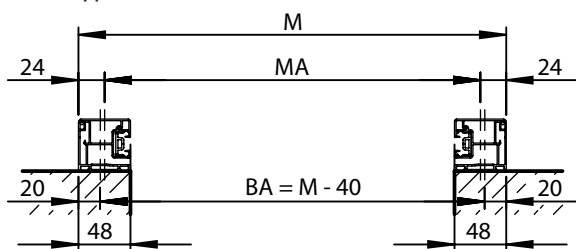
How to install the markilux 660 zip

Fixture type 20 (2 fixture brackets per guide track)

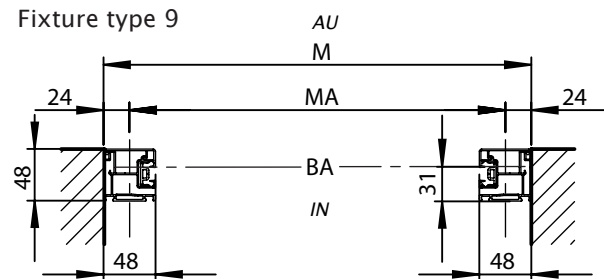


Cross section fixture types 8, 9, 10, 20

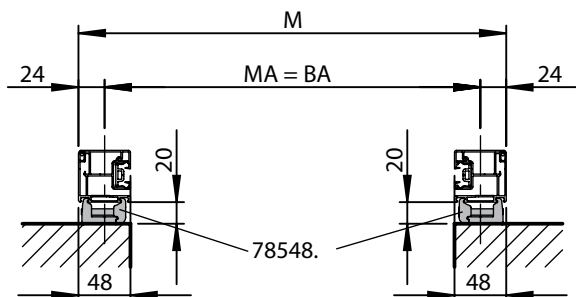
Fixture type 8



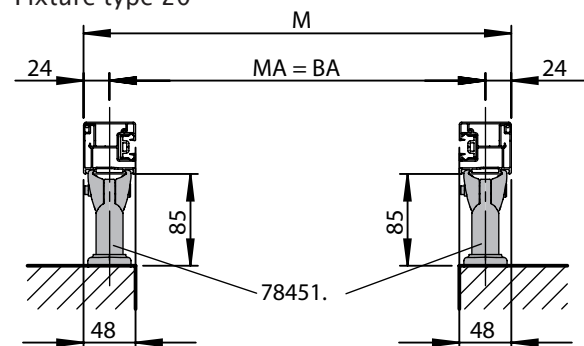
Fixture type 9



Fixture type 10



Fixture type 20

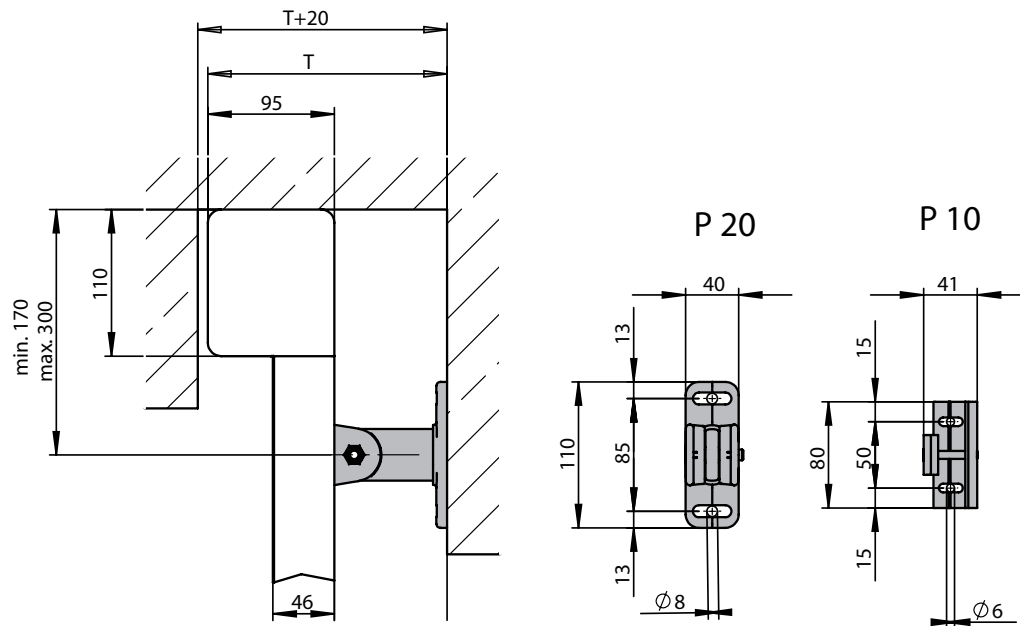


dimensions in mm

- M = overall blind width
- MA = awning fixture width = width between fixing points = order width
- BA = width between fixing points
- min. = minimum
- max. = maximum
- 78548. = flat track bracket
- 78451. = track bracket, with adjustable head, 80 mm
- AU = exterior
- IN = interior

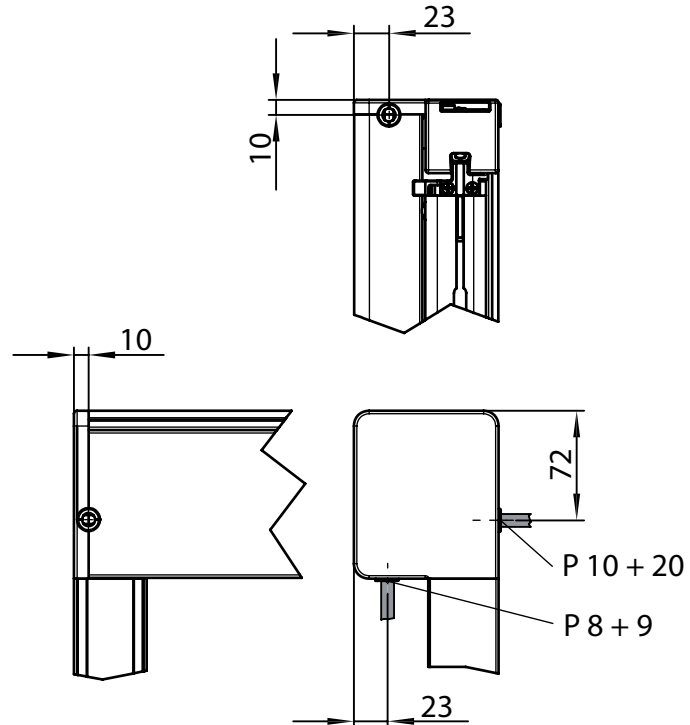
How to install the markilux 660 zip

Dimensions for reveal fixture of the cassette - bracket fixing dimensions



dimensions in mm

Cable exit point in the case of motor-driven units



dimensions in mm

- T = depth 95 mm: fixture type 8 + 9, depth 115 mm: fixture type 10, depth 180 mm: fixture type 20
- P = fixture type
- 78548. = flat track bracket
- 78451. = track bracket, with adjustable head, 80 mm