

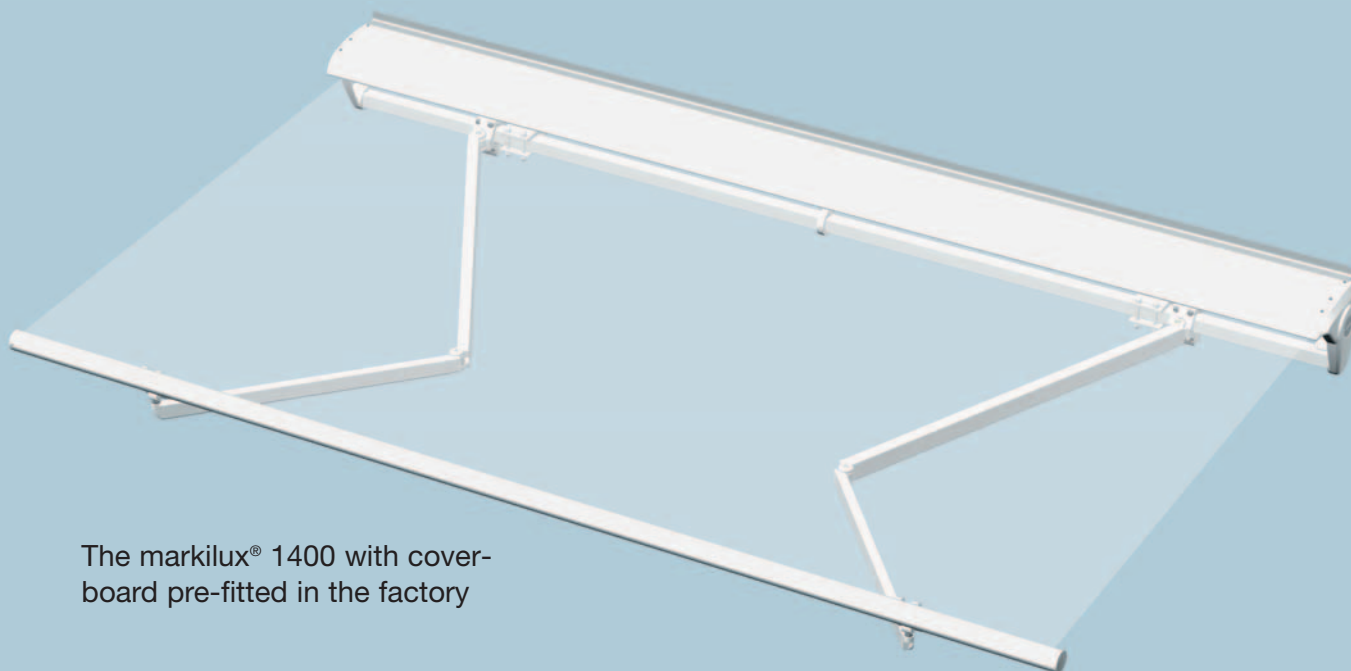
**markilux®**



**markilux® 1400**  
**The Classical Folding-arm Awning**  
with integrated coverboard

# The Folding-arm Awning markilux® 1400

the classical awning with adjustment mechanism and aesthetically pleasing contours



The markilux® 1400 with cover-board pre-fitted in the factory

## Optional Accessories:

Electric operation and controls

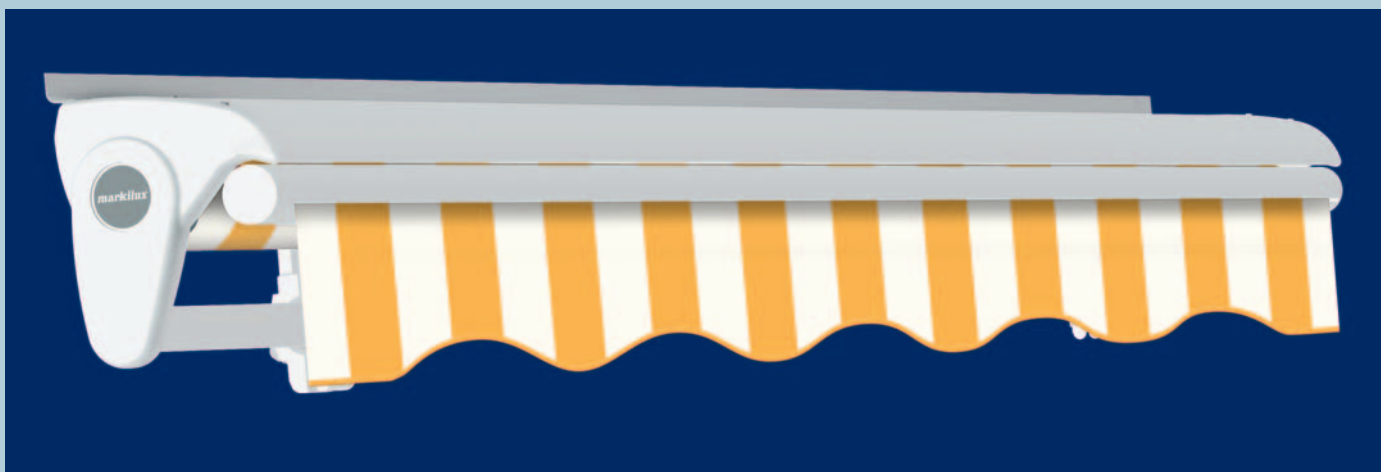


The markilux® 1400 - face fixture, retracted, with rubber sealing strip



Round steel-link chain, corrosion resistant

- with adjustment mechanism which ensures perfect alignment of the front profile and the coverboard (and therefore no gap) for a pitch of up to 20°



The markilux® 1400 retracted, the adjustment mechanism permits closure of the gap between front profile and coverboard for a pitch of up to 20°



The markilux® 1400 retracted, at a pitch of approximately 40°

### A maximum of security

- powder-coated, galvanised steel torque bar, 40 x 40 mm
- the fixture and roller support brackets are made of **extruded aluminium**
- immensely strong aluminium front profile (ø 50 mm.) and steel roller (ø 85 mm.)
- easily and quickly fitted, as the awning is completely **pre-assembled with coverboard**
- get to grips with real quality - a markilux® winding handle
- **Teflon-coated bushings** give maintenance-free arm performance
- the arm pivot bolts are made of **corrosion-resistant stainless steel**
- high lateral stability of the awning
- also available with greater projection than width, thanks to special arm technology



The pitch of the awning is set at the arm bearers fitted to the torque bar

We reserve the right to make alterations without prior notice.

# The markilux® 1400 Classical Folding-arm Awning

(with integrated coverboard)



Folding arms with steel-link chain											Approx. handle revs. Gearbox 5 : 1	Approx. extension time in sec. <sup>3)</sup>		
Dimensions	Standard widths in cm.	250	300	350	400	450	500	550	600	650	700	Standard motor	Rad.-contr. motor	
	Arm length 150 cm.											22	23	19
	Arm length 200 cm.											30	30	25
	Arm length 250 cm.	-										37	36	30
	Arm length 300 cm.	-	-									45	43	35
	Arm length 350 cm. <sup>1)</sup>	-	-	-								52	49	41
	No. of face fixture brackets	2			4			5						
	No. arms/rolltex bearings	2/0			2/0			3/1 <sup>1)2)</sup>			14 rpm <sup>4)</sup>	17 rpm <sup>4)</sup>		

- 1) **not** possible with oversized material.
- 2) awnings with 3 or more arms will **only** be supplied with motor
- 3) **N.B.** Motor stops automatically after 3 – 4 minutes use to prevent overheating.
- 4) **Nominal r.p.m.**  
It cannot be guaranteed that a bank of awnings will all run at the same speed. This is due to the tolerances in the r.p.m. of the motors.

Available Accessories	Manual operation winding handle: 110, 140, 160, 180, 220 cm	
	<input checked="" type="checkbox"/>	
	Servo-assisted manual operation	
	<input checked="" type="checkbox"/>	
	Motor drive switch recommended	
	<input checked="" type="checkbox"/>	pressure switch
	Side blind	
<input checked="" type="checkbox"/>		
Frame polyester powder coated as standard in colour*		
<input checked="" type="checkbox"/>		
Cover made of a brand name of acrylic material or sunsilk		
<input checked="" type="checkbox"/>		
PVC cover		
<input checked="" type="checkbox"/>	up to an awning width of 600 cm and an arm length of 250 cm.	

## Manual operation (gearboxes employed)

universal joint	eye	gear reduction	end-stop with/without	worm gear	bevel gear	order number
	<input checked="" type="checkbox"/>	5:1	<input checked="" type="checkbox"/>		<input checked="" type="checkbox"/>	72114. „L“ * 72115. „R“ *

1 = black; 3 = white

## Motor drive

	Order No.
Standard motor up to 2 folding arms	776111
Standard motor up to 4 folding arms	721161
Standard motor up to 6 folding arms	721171
Radio-controlled motor up to 2 folding arms	763371
Radio-controlled motor up to 4 folding arms	763381
Radio-controlled motor up to 6 folding arms	763391

## Possible dimensional variations: (in mm.)

Overall width of the awning	Standard widths		Intermediate widths	
	Motor	Gear	Motor	Gear
Tolerances in the width	+0/-10	+10/-0	+0/-10	+0/-15
Tolerances in the extension	+40 / -40		+40 / -40	

## Awning cover sizes: (in mm.)

	Standard widths		Intermediate widths	
	Motor	Gear	Motor	Gear
Cover width = (deduct from awning width)	150		140	160
Cover length = (add to awning extension)	130		130	

## Awning cover tolerances: (in mm.)

(Tolerances in the width and length of the cover)	From	To	Tolerances
	0	2000	+5 / -5
	2010	4000	+8 / -8
	4010	6000	+12 / -12
	6010	7000	+15 / -15

Not available: pitch adjustment gear, shadeplus, top fixture, eaves fixture

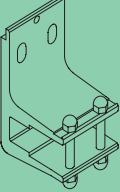
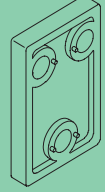
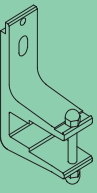
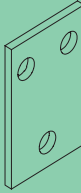
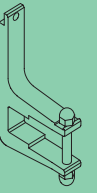

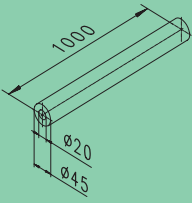

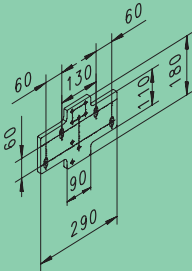

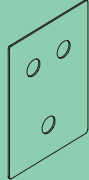
\* White: RAL 9016, brown: RAL 8019, metallic aluminium: RAL 9006, light ivory: RAL 1015. Other RAL colours are available. Lead times will be given on request.

**N.B.** Measure carefully! We will not take awnings back because of incorrect size. Awnings are made to measure. Please make it clear on your order if the awning is to be fitted at a pitch greater than 30° as these awnings will be fitted with special arm buffers. The arm length is measured with the awning tilted at 15° from the wall over the cover to the leading edge of the front profile. Coupled awnings can be supplied up to three units wide and a maximum of six arms (only motorised). They can be fitted with junction rollers except when the arm length is the maximum for the width of each awning. One piece covers on request. There is a chance of the pattern not matching where junction rollers are concerned. If coupled awnings are fitted into a recess or reveal, the overall width of the coupled awning must be 6 cm. less than the width of the opening to allow the awnings to be coupled. Make a special note if an awning is to be fitted into a recess, and note the recess width separately. **The operation side should be given as if seen from the outside.** Please consult the special notes contained in the general information/markilux fabric collections. We reserve the right to make alterations without giving prior notice.

# The markilux® 1400 Classical Folding-arm Awning



## Fixtures and Accessories

Part	Description	Part No.	Part	Description	Part No.
	Face fixture bracket assembly 90 mm	74100.		Spacer plate wall 90 x 140 x 18 mm <b>N.B.! * 200 mm</b>	758401
	Face fixture bracket assembly 45 mm	75862.		Spacer plate wall 90 x 140 x 8 mm	730561
	Support bracket assembly 25 mm	70321.		Spacer plate wall 45 x 145 x 18 mm <b>N.B.! * 200 mm</b>	730601
	Stand-off tube 45 x 12,5 mm <b>N.B.! * 120 mm</b>	701653 light grey		Spacer plate wall 45 x 145 x 8 mm	730511
	Fixture plate for face fixture bracket	78195.		Decorative plate for external insulation 85 x 185 x 2 mm	71503.
				Decorative plate for external insulation 130 x 180 x 2 mm	71505.

. = insert RAL colour code no.

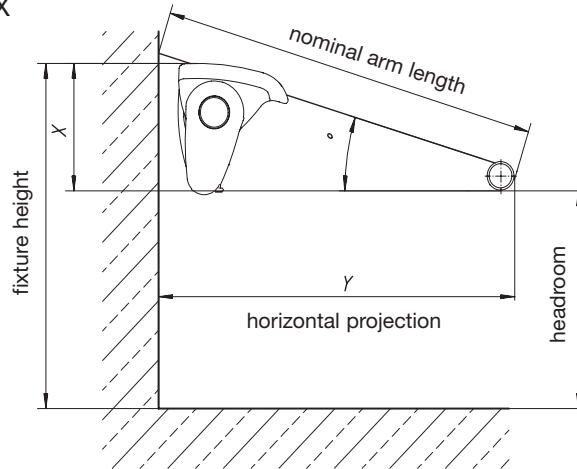
\* Recommended max. = xxx mm

# Important measurements for fitting the markilux® 1400:

Measurements may vary slightly. All dimensions in cm.

## Angle of pitch/walk-under height

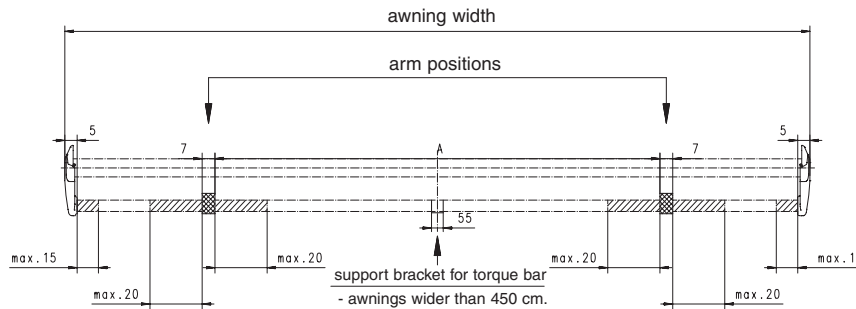
headroom = fixture height - X



		arm length in cm				
		150	200	250	300	350
α 5°	X	21	26	31	35	41
	Y	145	195	245	295	345
α 10°	X	34	42	51	59	68
	Y	145	194	243	293	342
α 15°	X	45	58	71	84	96
	Y	143	192	240	289	337
α 20°	X	57	74	90	108	124
	Y	141	188	235	282	329
α 25°	X	68	89	110	131	152
	Y	138	183	229	274	320
α 30°	X	80	104	129	154	179
	Y	134	177	220	264	307

## Bracket positions (2 arms)

If the brackets cannot be positioned in accordance with this table, make sure the actual measurements are noted on the order form!



awning width in cm.	arm length in cm.					measurement A cm.	no. of brackets
	150	200	250	300	350		
250	155	205	—	—	—	2	
251 - 300	205	205	255	—	—	2	
301 - 350	240	240	255	305	—	2	
351 - 400	275	275	275	305	355	2	
401 - 450	310	310	310	310	355	2	
451 - 500	345	345	345	345	375	2	
501 - 550	375	375	375	375	375	4	
551 - 600	415	415	415	415	415	4	
601 - 650	450	450	450	450	—	4	
minimum width / gearbox	185	235	285	335	385		
minimum width / motor	181	231	281	331	381		

In the case of special arms (surcharge), from an arm length of 200cm: minimum width - 13cm

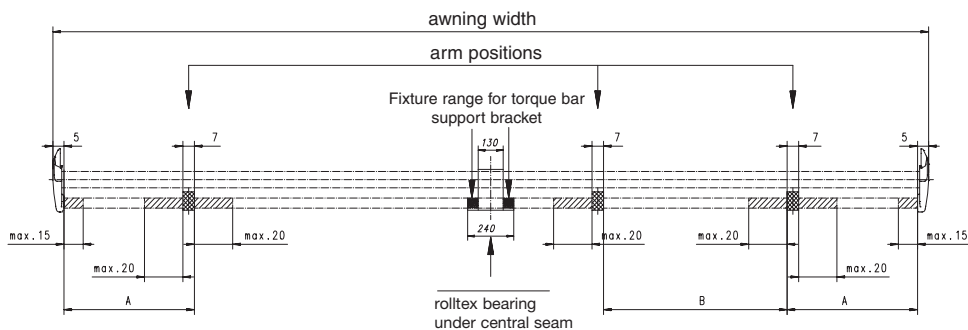
▨ = range within which brackets should be fixed

○ = coupled units cannot be fitted with a jockey roller!

○ = coupled units can be fitted with a jockey roller where standard sizes are concerned. Please ask in the case of intermediate widths

\* it is particularly important that these measurements are adhered to in the case of these awning sizes!

## Bracket positions (3 arms)



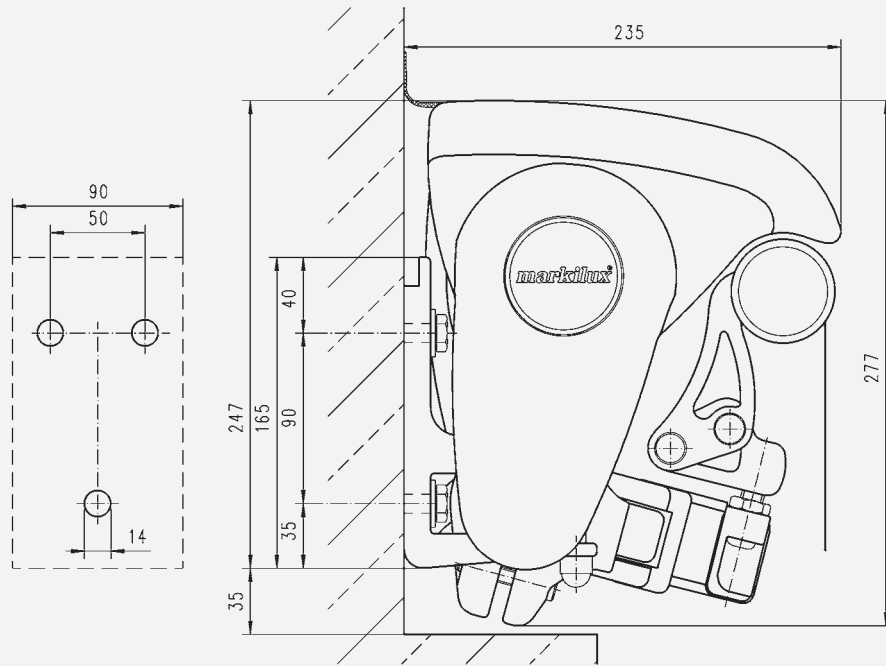
awning width in cm.	arm length in cm.					measurement B cm.					no. of brackets
	150	200	250	300	350	150	200	250	300	350	
601 - 650	—	—	—	—	30	—	—	—	—	195	5
651 - 700	55	55	55	55	55	240	225	210	200	190	5
minimum width / motor	266	340	418	490	565						

In the case of special arms (surcharge), from an arm length of 200 cm: minimum width - 20 cm

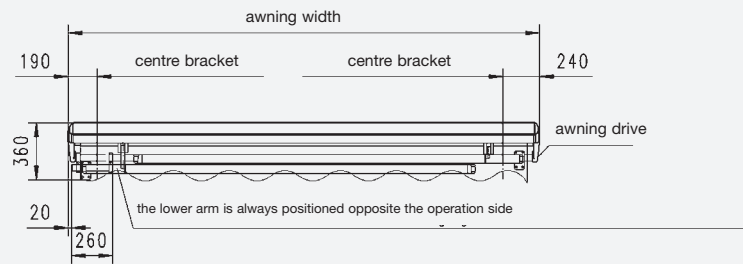
▨ = range within which brackets should be fixed

○ = coupled units cannot be fitted with a jockey roller!

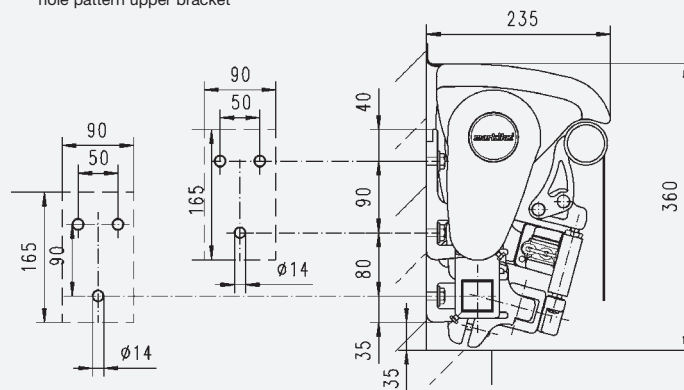
# How to fit the markilux® 1400:



① Face fixture using face fixture bracket



hole pattern upper bracket



hole pattern lower bracket

① Face fixture; greater arm length than width, v. section "Greater Arm Length than Width"