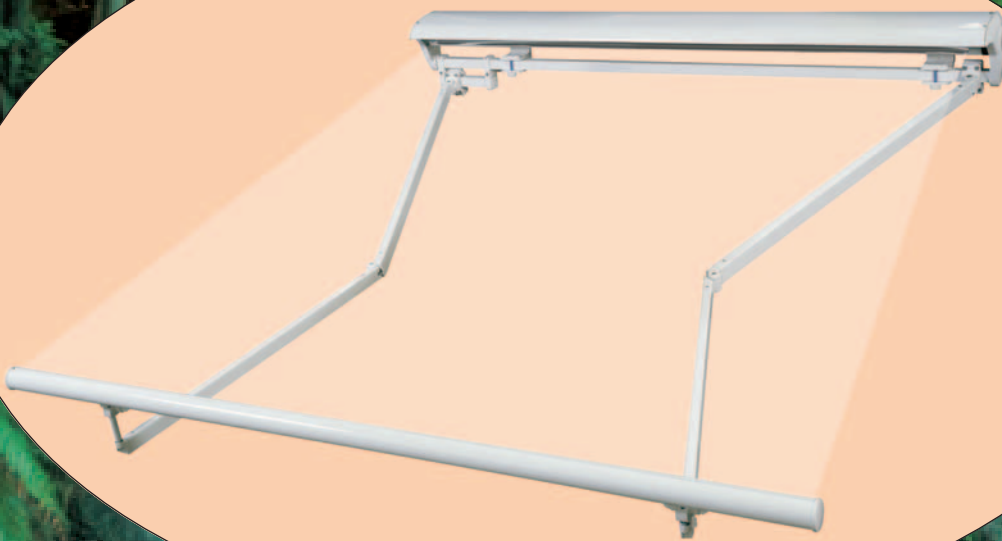


markilux®



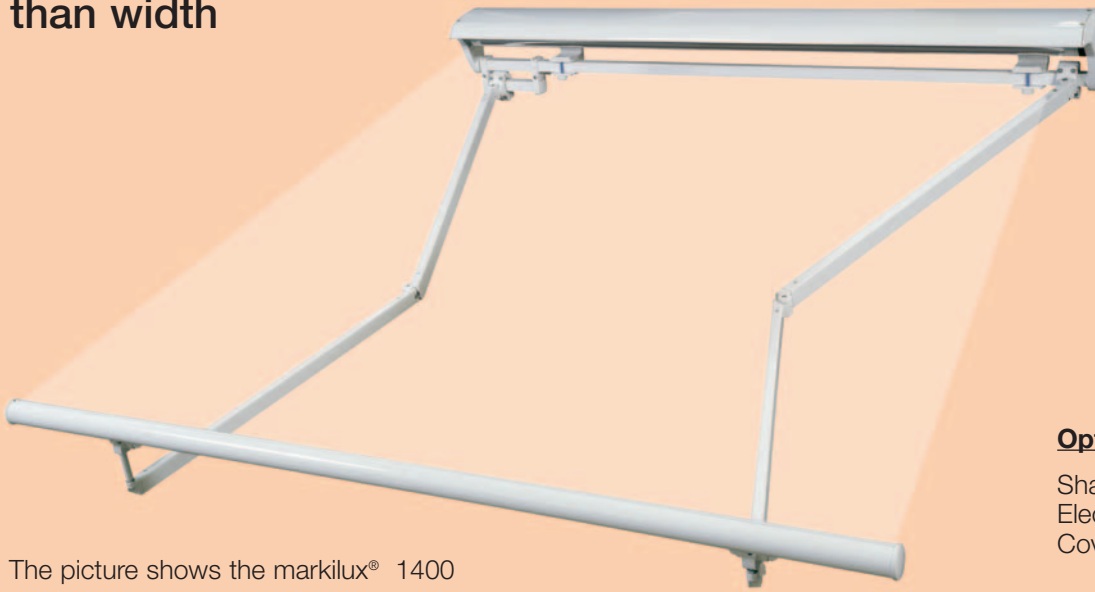
The markilux® with “Greater Arm Length than Width”

the awning that throws a longer shadow

Folding-arm Awning markilux® 1300 and markilux® 1400

Greater arm length
than width

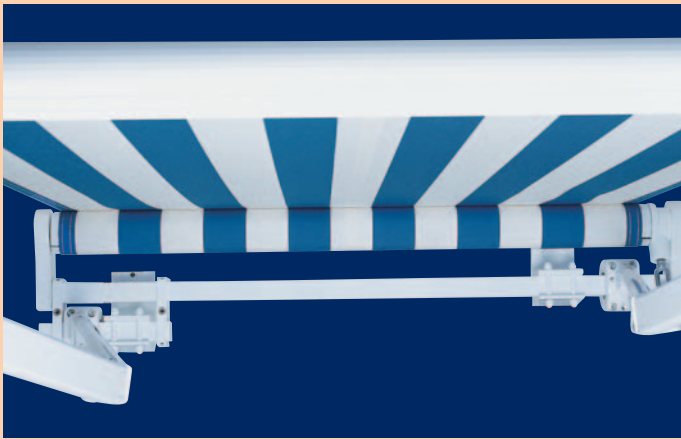
(max. pitch 20°)



The picture shows the markilux® 1400

Optional Accessories:

- Shadeplus
- Electric operation and controls
- Coverboard



Arm fixture to the torque bar (markilux® 1300)



Awning during extension - arms above one another (markilux® 1300)



(markilux® 1400)



(markilux® 1400)



Retracted showing the longer valance (25 cm) included in the awning price (markilux® 1400)
GAW-1



Arm fixture to the front profile (markilux® 1300)

The markilux® 1300 Folding-arm Awning with Greater Arm Length than Width



Dimensions	Standard widths in cm.							Approx. handle revs.	Approx. extension time in sec. ³⁾	
	150	175	200	225	250	300	350	Gearbox 5:1	Standard motor	Rad.-contr. motor
Arm length 150 cm.			- ²⁾	-	-	-	-	31	23	19
Arm length 200 cm.				- ²⁾	- ²⁾	-	-	42	30	25
Arm length 250 cm.	-					- ²⁾	-	52	36	30
Arm length 300 cm.	-	-					- ²⁾	63	43	35
Arm length 350 cm. ¹⁾	-	-	-					73	49	41
No. of brackets	2								14 rpm ⁴⁾	17 rpm ⁴⁾

- 1) **not** possible with oversized material.
- 2) intermediate sizes on request
- 3) **N.B.** Motor stops automatically after 3 – 4 minutes use to prevent overheating
- 4) **Nominal r.p.m.**
It cannot be guaranteed that a bank of awnings will all run at the same speed. This is due to the tolerances in the r.p.m. of the motors.

Available Accessories	Manual operation winding handle: 110, 140, 160, 180, 220 cm	
	<input checked="" type="checkbox"/>	
	Servo-assisted manual operation	
	<input checked="" type="checkbox"/>	
	Motor drive switch recommended	
	<input checked="" type="checkbox"/>	pressure switch
	Manually operated shadeplus	
	<input checked="" type="checkbox"/>	split in the middle from a width of 501 cm.
	Coverboard with rubber sealing strip	
<input checked="" type="checkbox"/>		
Side blind		
<input checked="" type="checkbox"/>		
Frame polyester coated as standard in colour*		
<input checked="" type="checkbox"/>		
Cover made of a brand make of Acrylic fibre or sunsilk		
<input checked="" type="checkbox"/>		
PVC cover		
<input checked="" type="checkbox"/>	up to an arm length of 250 cm	

Smallest awning width at the given arm length:

Arm length	150	200	250	300	350
Awning width	125	150	175	200	225

Manual operation (gearboxes employed)

universal joint	eye	gear reduction	end-stop with without	worm gear	bevel gear	order number
	<input checked="" type="checkbox"/>	5:1	<input checked="" type="checkbox"/>		<input checked="" type="checkbox"/>	72167. "L" 72168. "R"

1 = black; 3 = white

Motor drive

	Order No.
Standard motor up to 2 folding arms	776111
Radio-controlled motor up to 2 folding arms	763371

Possible dimensional variations: (in mm.)

Overall width of the awning	Standard widths		Intermediate widths	
	Motor	Gear	Motor	Gear
Tolerances in the width	+0/-10	+5/-5	+0/-15	+0/-15
Tolerances in the extension	+40 / -40		+40 / -40	

Awning cover sizes: (in mm.)

	Standard widths		Intermediate widths	
	Motor	Gear	Motor	Gear
Cover width = (deduct from awning width)	150		140	170
Cover length = (add to awning extension)	130		130	

Awning cover tolerances: (in mm.)

(Tolerances in the width and drop of the cover)	From	To	Tolerances
	0	2000	+5 / -5
	2010	3500	+8 / -8

Not available: motorised shadeplus

* White: RAL 9016, brown: RAL 8019, metallic aluminium: RAL 9006, light ivory: RAL 1015. Other RAL colours are available. Lead times will be given on request.

- N.B.** Measure carefully! We will not take awnings back because of incorrect size. Awnings are made to measure. The arm length is measured with the awning tilted at 15° from the wall over the cover to the leading edge of the front profile. Make a special note if an awning is to be fitted into a recess/reveal, and note the recess/reveal width separately. **The operation side should be given as if seen from the outside.** Please consult the special notes contained in the general information/markilux fabric collections. We reserve the right to make alterations without giving prior notice.

For bracket an fixture possibilities v. 1300-3.

The markilux® 1400 Folding-arm Awning with Greater Arm Length than Width



								Approx. handle revs.	Approx. extension time in sec. ³⁾		
Dimensions	Standard widths in cm.	150	175	200	225	250	300	350	Gearbox 5 : 1	Standard motor	rad.-contr. motor
	Arm length 150 cm.			- ²⁾	-	-	-	-	22	23	19
	Arm length 200 cm.				- ²⁾	- ²⁾	-	-	30	30	25
	Arm length 250 cm.	-					- ²⁾	-	37	36	30
	Arm length 300 cm.	-	-					- ²⁾	45	43	35
	Arm length 350 cm. ¹⁾	-	-	-					52	49	41
No. of brackets		2								14 U/min. ⁴⁾	17 U/min. ⁴⁾

1) not possible with oversized material.
2) intermediate sizes on request
3) **N.B.** Motor stops automatically after 3 – 4 minutes use to prevent overheating
4) **Nominal r.p.m.**
It cannot be guaranteed that a bank of awnings will all run at the same speed. This is due to the tolerances in the r.p.m. of the motors.

Available Accessories	Manual operation winding handle: 110, 140, 160, 180, 220 cm	<input checked="" type="checkbox"/>
	Servo-assisted manual operation	<input checked="" type="checkbox"/>
	Motor drive recommended switch	<input checked="" type="checkbox"/> pressure switch
	Side blind	<input checked="" type="checkbox"/>
	Frame polyester powder coated as standard in colour*	<input checked="" type="checkbox"/>
	Cover made of a brand name of acrylic material or sunsilk	<input checked="" type="checkbox"/>
PVC cover	<input checked="" type="checkbox"/> up to an arm length of 250 cm.	

Not available: pitch adjustment gear, shadeplus, wall sealing profile, eaves fixture

* White: RAL 9016, brown: RAL 8019, metallic aluminium: RAL 9006, light ivory: RAL 1015. Other RAL colours are available. Lead times will be given on request.

Smallest awning width at the given arm length:

Arm length	150	200	250	300	350
Awning width	125	150	175	200	225

Manual operation (gearboxes employed)

universal joint	eye	gear reduction	end-stop with/without	worm gear	bevel gear	order number
	<input checked="" type="checkbox"/>	5:1	<input checked="" type="checkbox"/>		<input checked="" type="checkbox"/>	72114. „L“ * 72115. „R“ *

1 = black; 3 = white

Motor drive

	Order Nr.
Standard motor up to 2 folding arms	776111
Radio-controlled motor up to 2 folding arms	763371

Possible dimensional variations: (in mm.)

Overall width of the awning	Standard widths		Intermediate widths	
	Motor	Gear	Motor	Gear
Tolerances in the width	+0/-10	+10/-0	+0/-10	+0/-15
Tolerances in the extension	+40 / -40		+40 / -40	

Awning cover sizes: (in mm.)

	Standard widths		Intermediate widths	
	Motor	Gear	Motor	Gear
Cover width = (deduct from awning width)	150		140	160
Cover length = (add to awning extension)	130		130	

Awning cover tolerances: (in mm.)

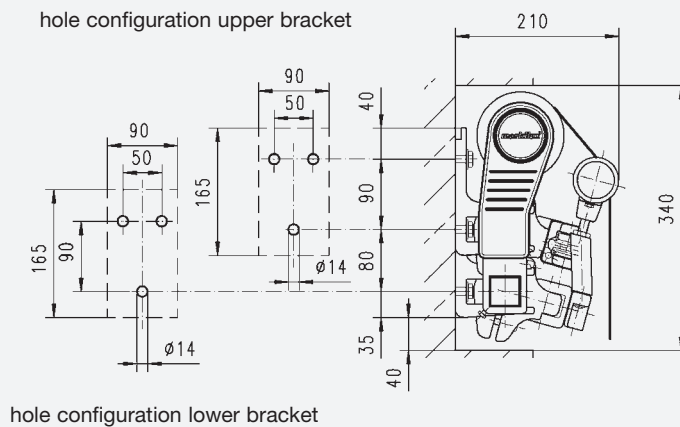
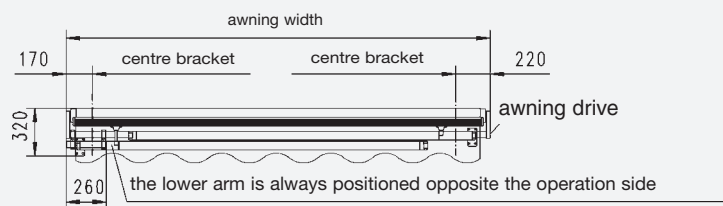
(Tolerances in the width and drop of the cover)	From	To	Tolerances
	0	2000	+5 / -5
	2010	3500	+8 / -8

N.B.

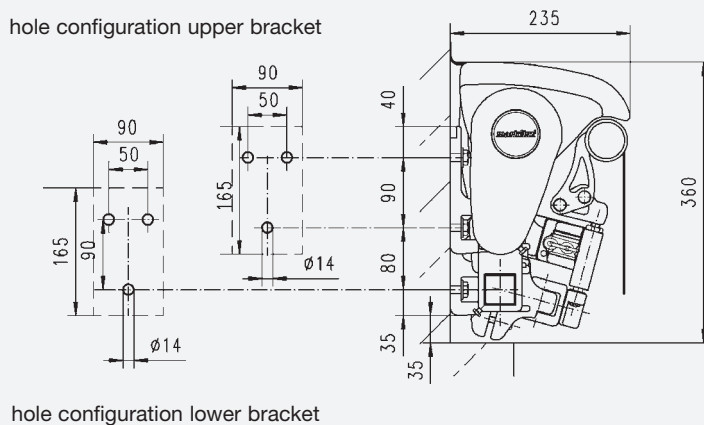
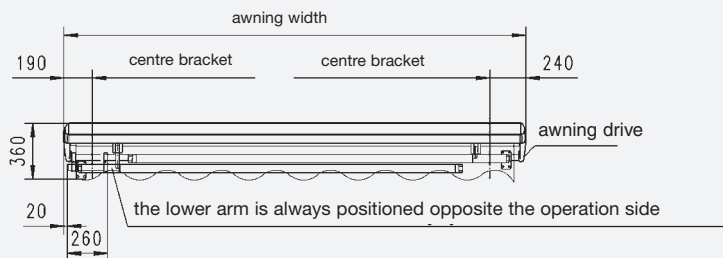
Measure carefully! We will not take awnings back because of incorrect size. Awnings are made to measure. The arm length is measured with the awning tilted at 15° from the wall over the cover to the leading edge of the front profile. Make a special note if an awning is to be fitted into a recess, and note the recess width separately. The operation side should be given as if seen from the outside. Please consult the special notes contained in the general information/markilux fabric collections. We reserve the right to make alterations without giving prior notice.

For bracket an fixture possibilities v. 1400-4.

How to fit the markilux® awning with greater arm length than width:

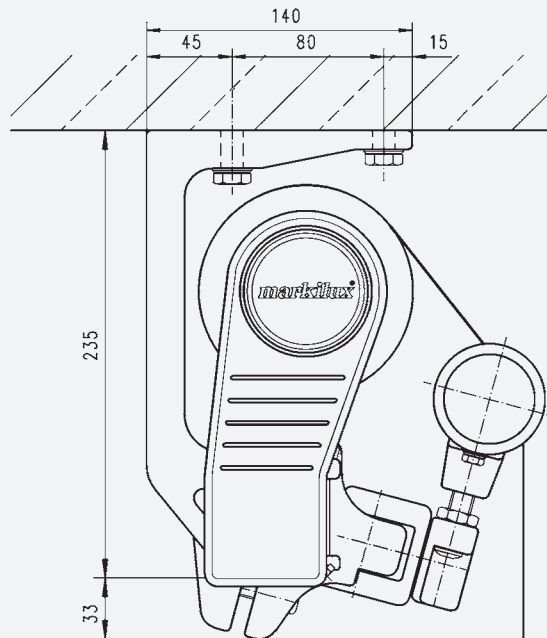
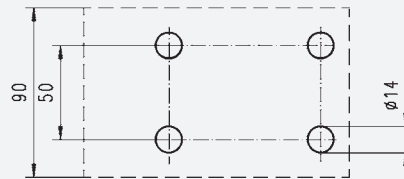
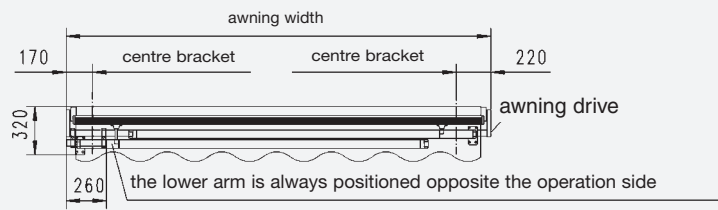


① Face fixture **markilux® 1300**
greater arm length than width



② Face fixture **markilux® 1400**
greater arm length than width

How to fit the markilux® awning with greater arm length than width:



- ① Top fixture **markilux® 1300**
greater arm length than width