

**markilux®**



**markilux® 740/840**

The Markisolette with Angled Slide Rails  
and Gas Piston-tensioned arms

# The Markisolette markilux® 740/840

with gas piston-tensioned arms  
and slide mechanism locking device



● Profile view markilux® 740



● Profile view markilux® 840

## **Optional Accessories:**

Electric operation and automatic control systems  
Interior operation

- sturdy, self-supporting cassette
- the side cheek is made of plastic-coated stainless steel and fitted with maintenance-free bearings
- manual operation by means of universally jointed coupling and bayonet fitting
- alternatively can be used a tubular motor with electronic limit switching
- covers can be made of stitched Perfortex, seamless or stitched acrylic, sunsilk and transolair fabrics or Soltis 92
- can be fitted directly to window or brickwork
- taut cover due to gas piston-tensioned arms and slide mechanism locking device
- sturdy, aesthetically pleasing arm profile
- coupled units have an adjustable coupling flange
- operation from inside the building is also available



● Universally jointed coupling  
markilux® 740/840



● Angled slides and  
gas pistons  
markilux® 740/840

We reserve the right to make alterations without giving prior notice

# Markisolette

(with angled slide rails and gas piston)

**markilux® 740** = square cassette <sup>1)</sup>

**markilux® 840** = round cassette



Dimensions	Standard widths in cm.	Approx. handle revs.										Approx. extension time in sec. <sup>2)</sup>		
		75	100	125	150	175	200	225	250	275	300	gear ratio 6 : 1	Standard motor	Rad.-contr. motor
Unit height	100											23	17	17
	120											27	19	19
	140											32	22	22
	160											37	25	25
	180											42	28	28
	200											47	31	31
	220											51	33	33
	240											56	35	35
	260 <sup>1)</sup>											60	38	38
	280 <sup>1)</sup>											65	40	40
300 <sup>1)</sup>											69	43	43	
												17 rpm <sup>3)</sup>	17 rpm <sup>3)</sup>	

<sup>1)</sup> Units with a cover length greater than 250 cm can only be made with seamless acrylic material, swela transolair, sunsilk or Soltis 92.

<sup>2)</sup> **N.B.** Motor stops automatically after 3 – 4 minutes use to prevent overheating.

<sup>3)</sup> **Nominal RPM**  
(In the case of contract awnings the same speed of rotation of the motors cannot be guaranteed)

Available Accessories	Manual operation; winding handle with funnel connector; handle lengths: 110, 140, 160, 180, 220 cm.	<input checked="" type="checkbox"/>	gear is fitted with a universal joint and mounted inside the cassette
	Interior manual operation**	<input checked="" type="checkbox"/>	
	Electric operation	<input checked="" type="checkbox"/>	
	Frame polyester powder coated as standard in colour*	<input checked="" type="checkbox"/>	
	Cover made from a brand make of acrylic fibre, sunsilk or Perfotex	<input checked="" type="checkbox"/>	
	swela transolair	<input checked="" type="checkbox"/>	seamless covers up to a drop of 251 cm. larger drops have a horizontal seam from a blind width of 262 cm.
	SOLTIS 92	<input checked="" type="checkbox"/>	seamless covers up to a drop of 171 cm. larger drops have a horizontal seam from a blind width of 181 cm.

A maximum of two single markilux® units can be joined to make a coupled unit. These units will only be supplied with a motor (surcharge) Largest size: 2 x 250 cm.

### Smallest awning width

Standard motor	75 cm
Radio-controlled motor	75 cm

### Manual operation (gearbox types used)

	eye	gear reduction	end-stop with	end-stop without	worm gear	articulated joint	order number
Standard	<input checked="" type="checkbox"/>	6 : 1	<input checked="" type="checkbox"/>		<input checked="" type="checkbox"/>		713400
Interior operation		6 : 1	<input checked="" type="checkbox"/>		<input checked="" type="checkbox"/>	<input checked="" type="checkbox"/>	781200
operation from the rear	<input checked="" type="checkbox"/>	6 : 1	<input checked="" type="checkbox"/>		<input checked="" type="checkbox"/>		786921

**Motors** HiPro motor with electronic torque reduction mechanism and timed cut-off switch when being retracted

	Order No.
Standard motor for single units	706781 „R“ 706771 „L“
Standard motor for coupled units.	706681 „R“ 706691 „L“

Radio-controlled motor for single units	763321
Radio-controlled motor for coupled units	763331

### Possible dimensional variations: (in mm.)

Overall markisolette width	Standard widths		Intermediate widths	
	Motor	Gear	Motor	Gear
Tolerances in the width	+ 0 / - 10		+ 0 / - 10	
Tolerances in the extension	+ 20 / - 20		+ 20 / - 20	

### Awning cover sizes: (in mm.)

	Motor	Gear
Cover width = (deduct from awning width)	90	110
Cover length = (add to awning extension)	200	200

### Awning cover tolerances: (in mm.)

(Tolerances in the width and drop of the cover)	From	To	Tolerances
	0	2000	+ 5 / - 5
2010	3000	+ 8 / - 8	

**Not available:** fabric series 364xx, PVC fabrics (ERA, Mehler etc.)

\* White: RAL 9016, brown: RAL 8019, metallic aluminium: RAL 9006. Other RAL colours are available. Lead times will be given on request.

\*\*This operation type demands exact fixture and generally speaking is more expensive for the end consumer. We suggest therefore, that a radio-controlled motor be recommended to the customer.

### **N.B.**

Measure carefully! We will not take awnings back because of incorrect size. Awnings are made to measure.

If coupled awnings or blinds are to be fitted into a recess or between two walls the overall width of the coupled awning must be 6 cm less than the width of the opening to allow the awnings/blinds to be coupled together.

Make a special note if an awning is to be fitted into a reveal, and note the reveal width separately.

**The operation side should be given as if viewed from the outside.**

Please consult the special notes contained in the general information/markilux® fabric collections.

We reserve the right to make alterations to our products without giving prior notice.

# Markisolette

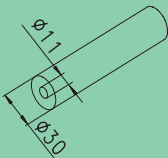
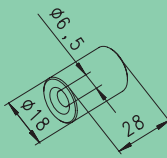
(with slide guide rails and gas piston)

**markilux<sup>®</sup> 740** = square cassette

**markilux<sup>®</sup> 840** = round cassette

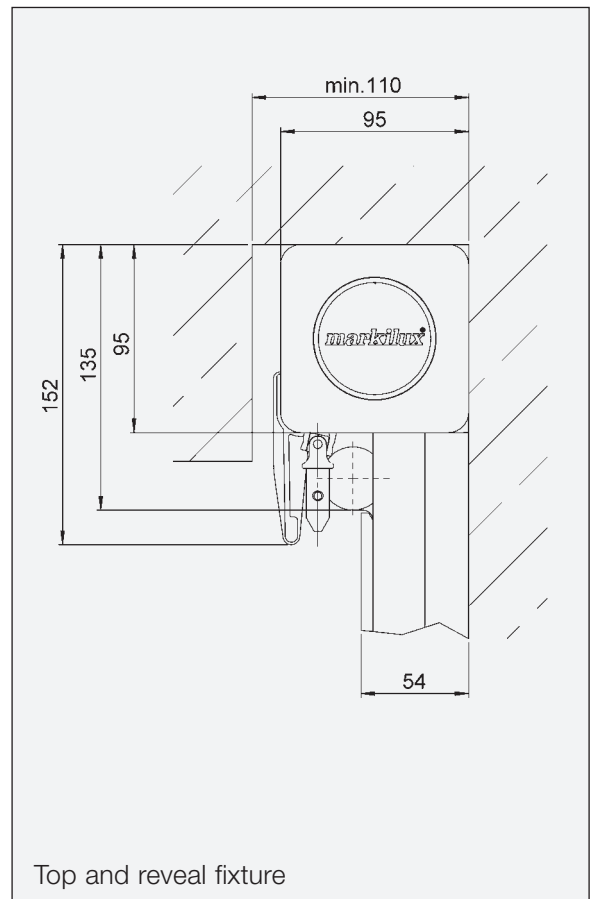
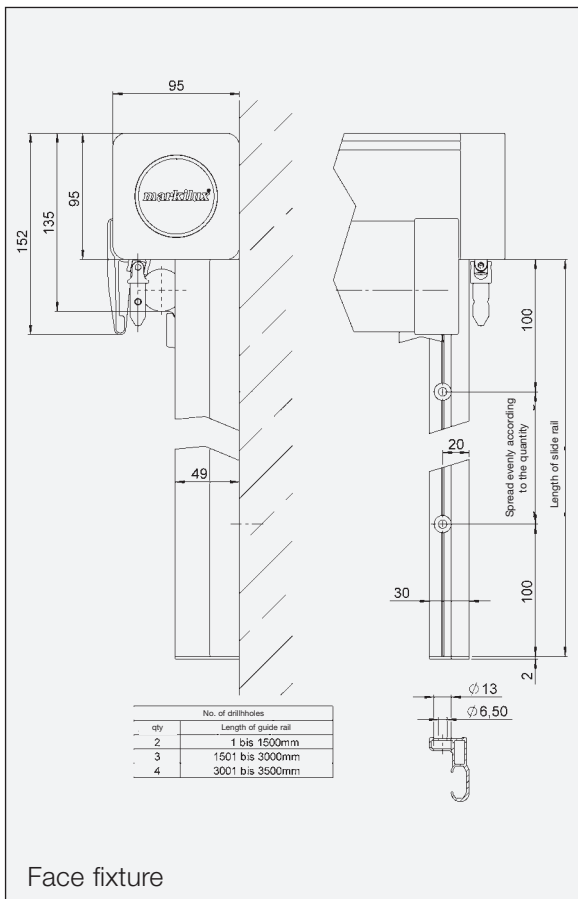
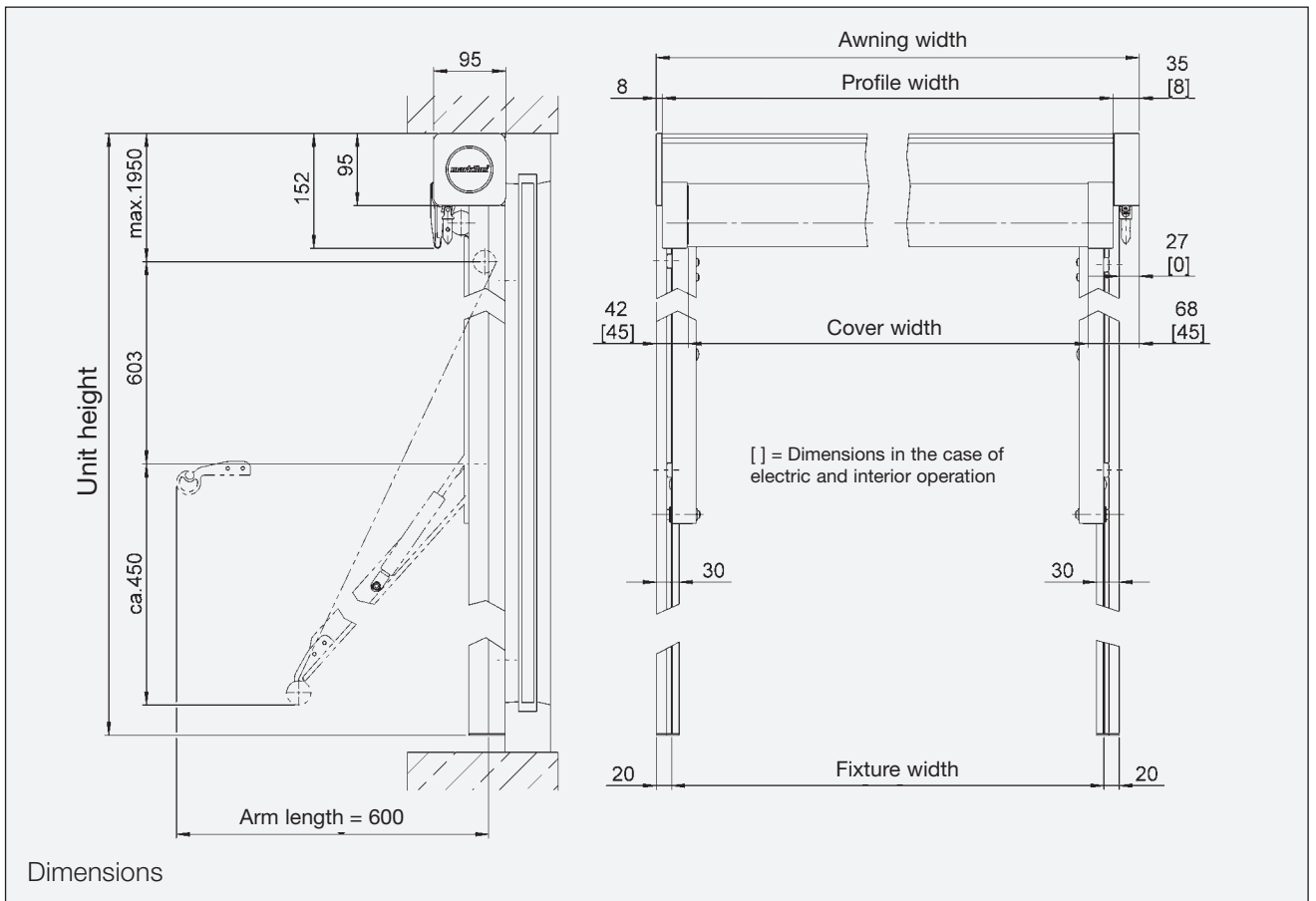


## Fixtures and Accessories

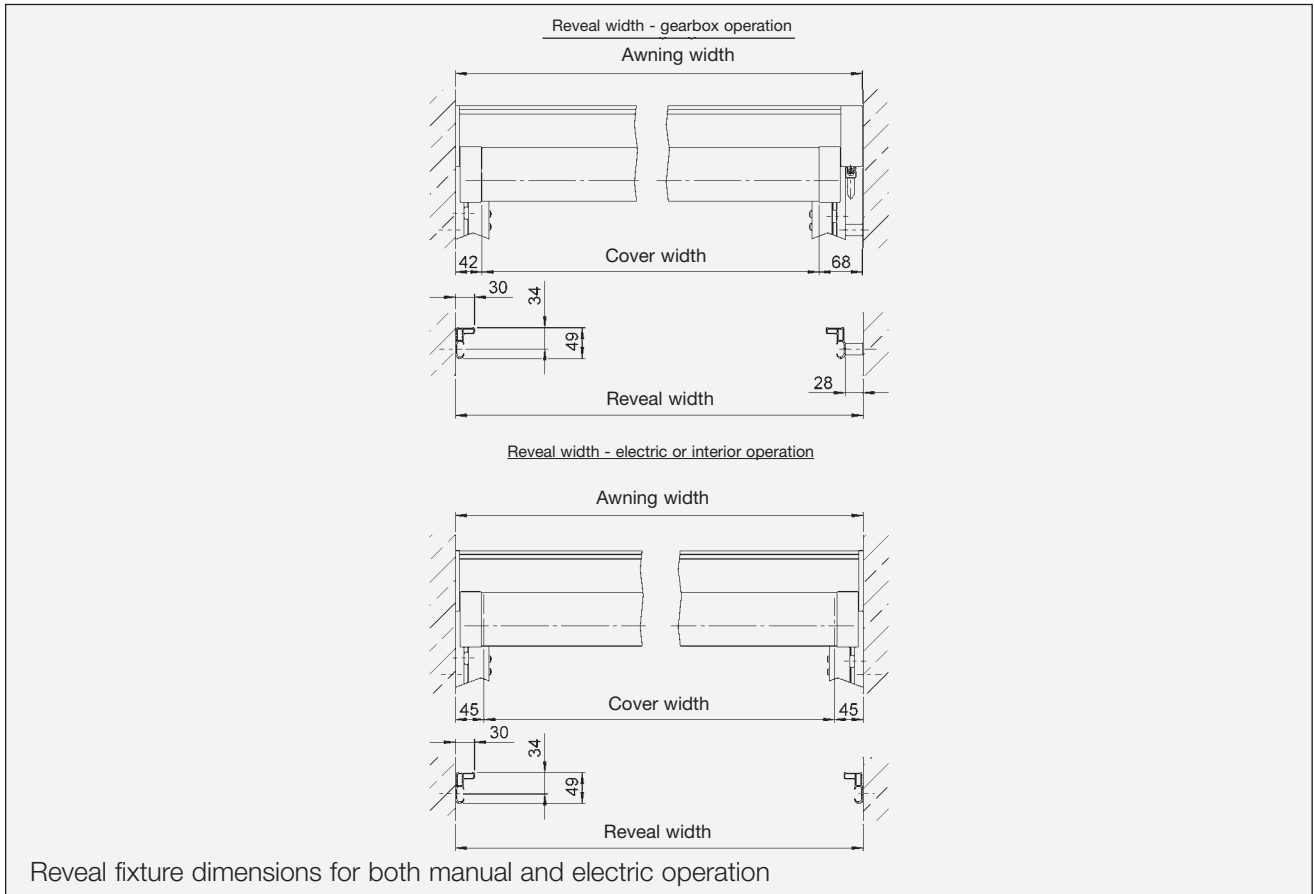
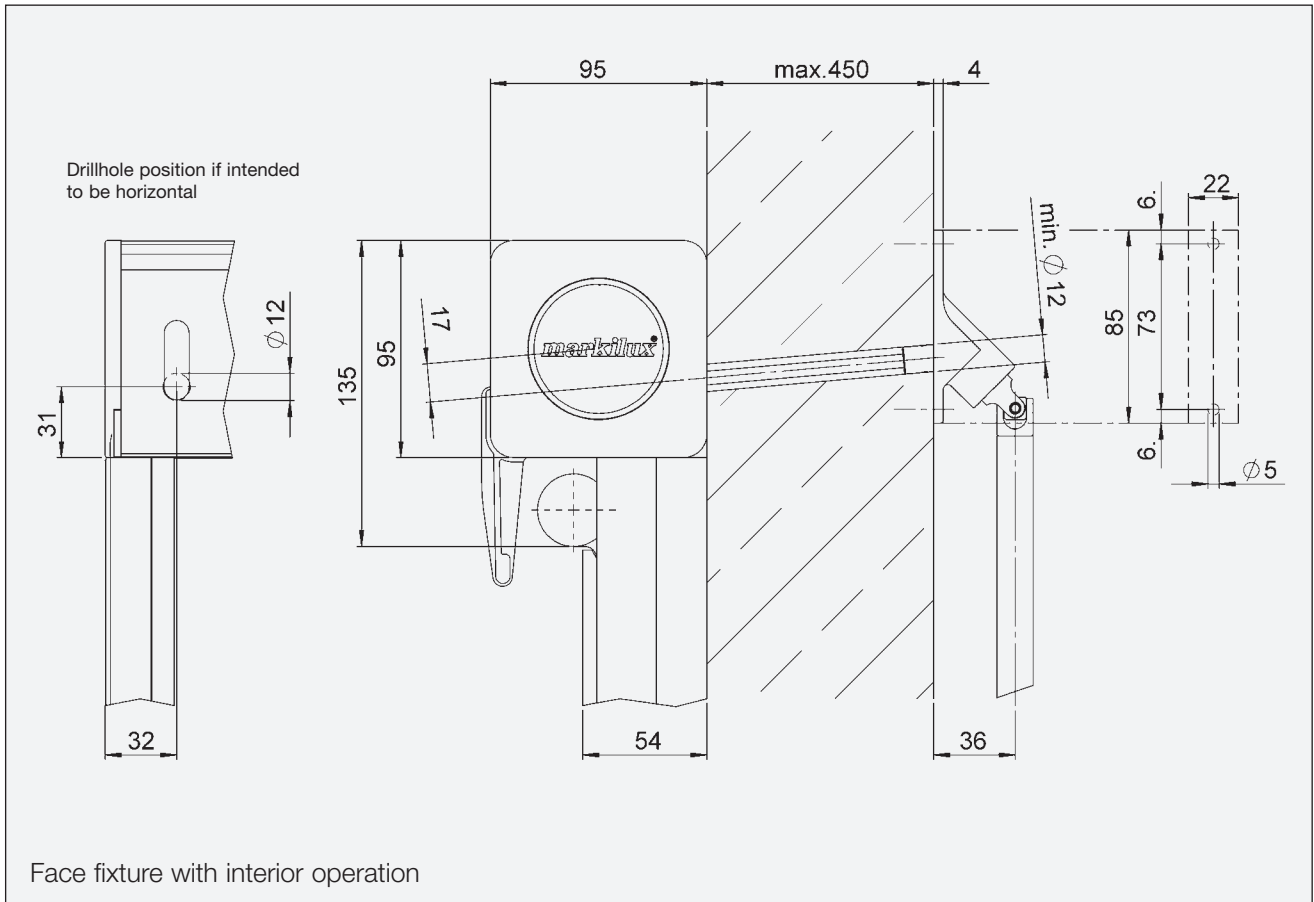
markilux <sup>®</sup> 740 and markilux <sup>®</sup> 840					
Part	Description	Part No.	Part	Description	Part No.
	Stand-off tube 30 x 9.5 mm <b>N.B.!</b> max. stand-off distance = 120 mm	701668		Stand-off bracket for reveal fixture	78643.

. = insert RAL colour code no.

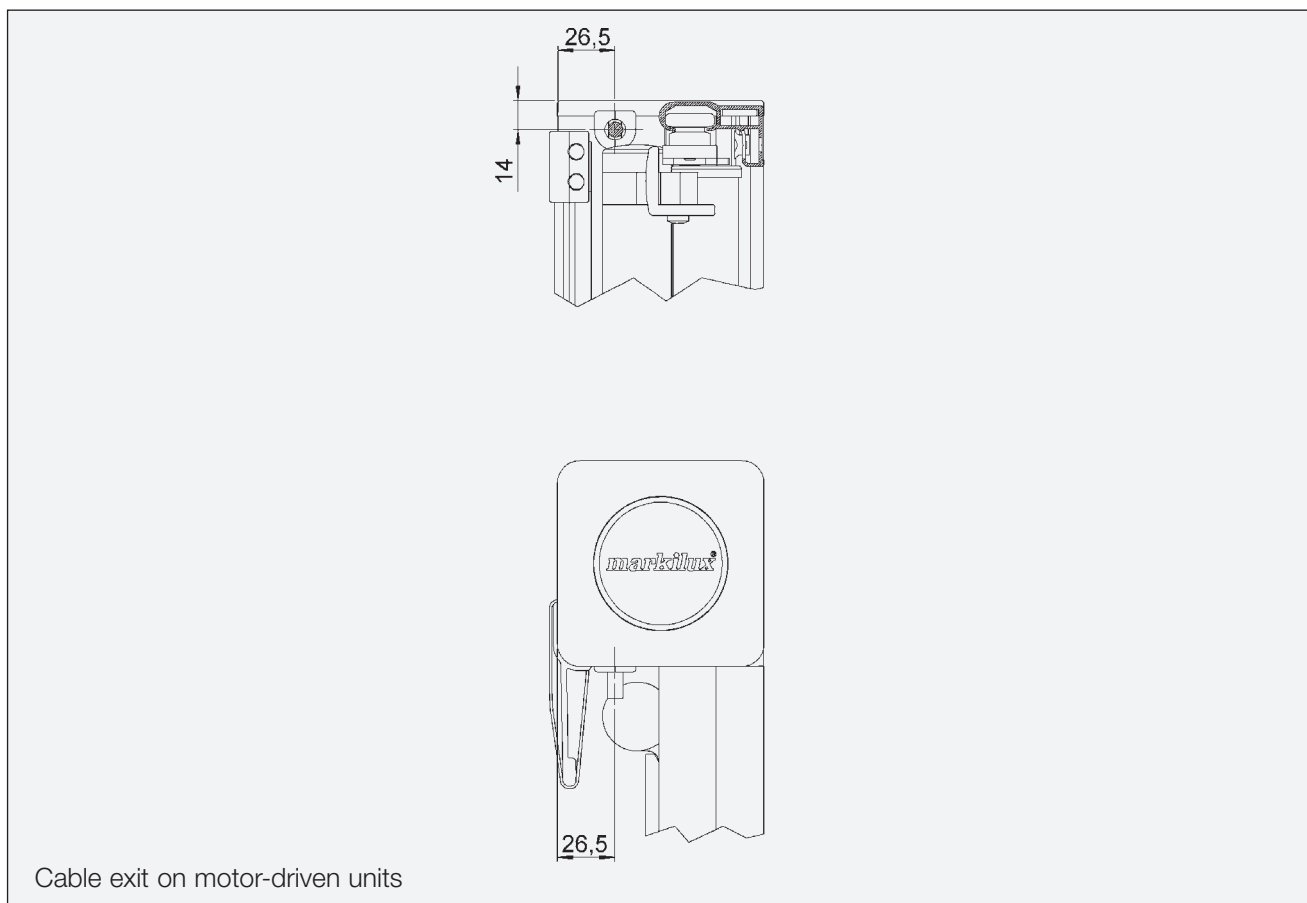
# How to fit the Markisolette markilux® 740:



# How to fit the Markisolette markilux® 740:

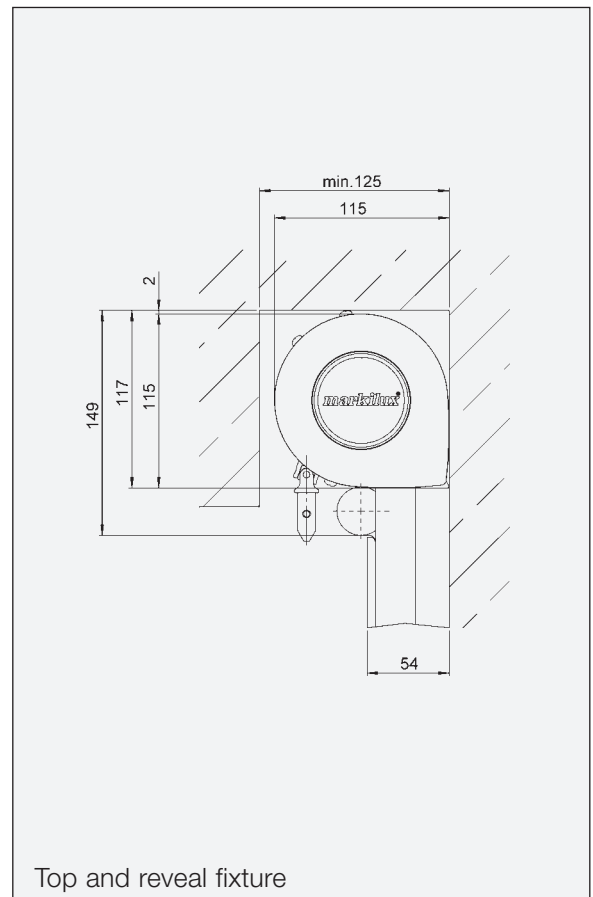
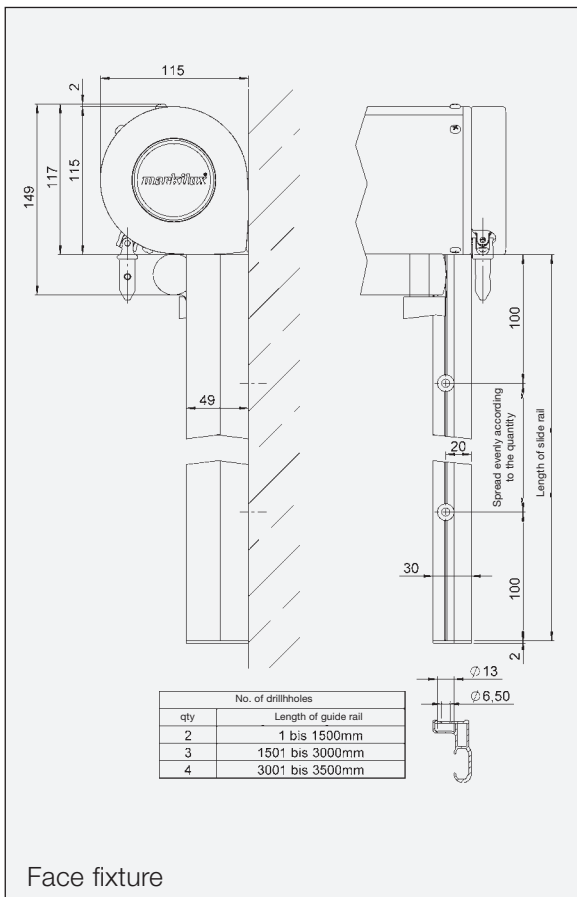
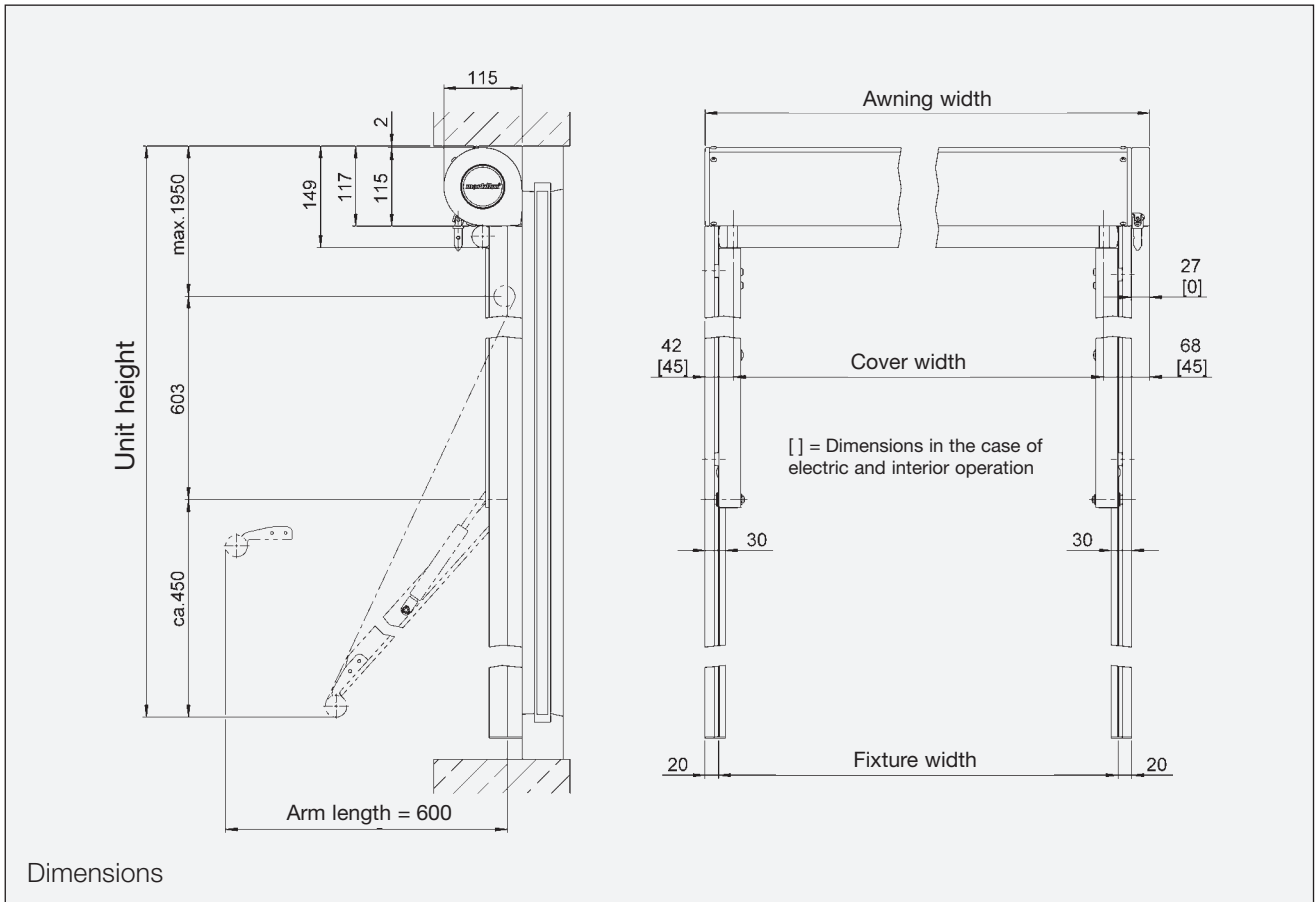


# How to fit the Markisolette markilux® 740:



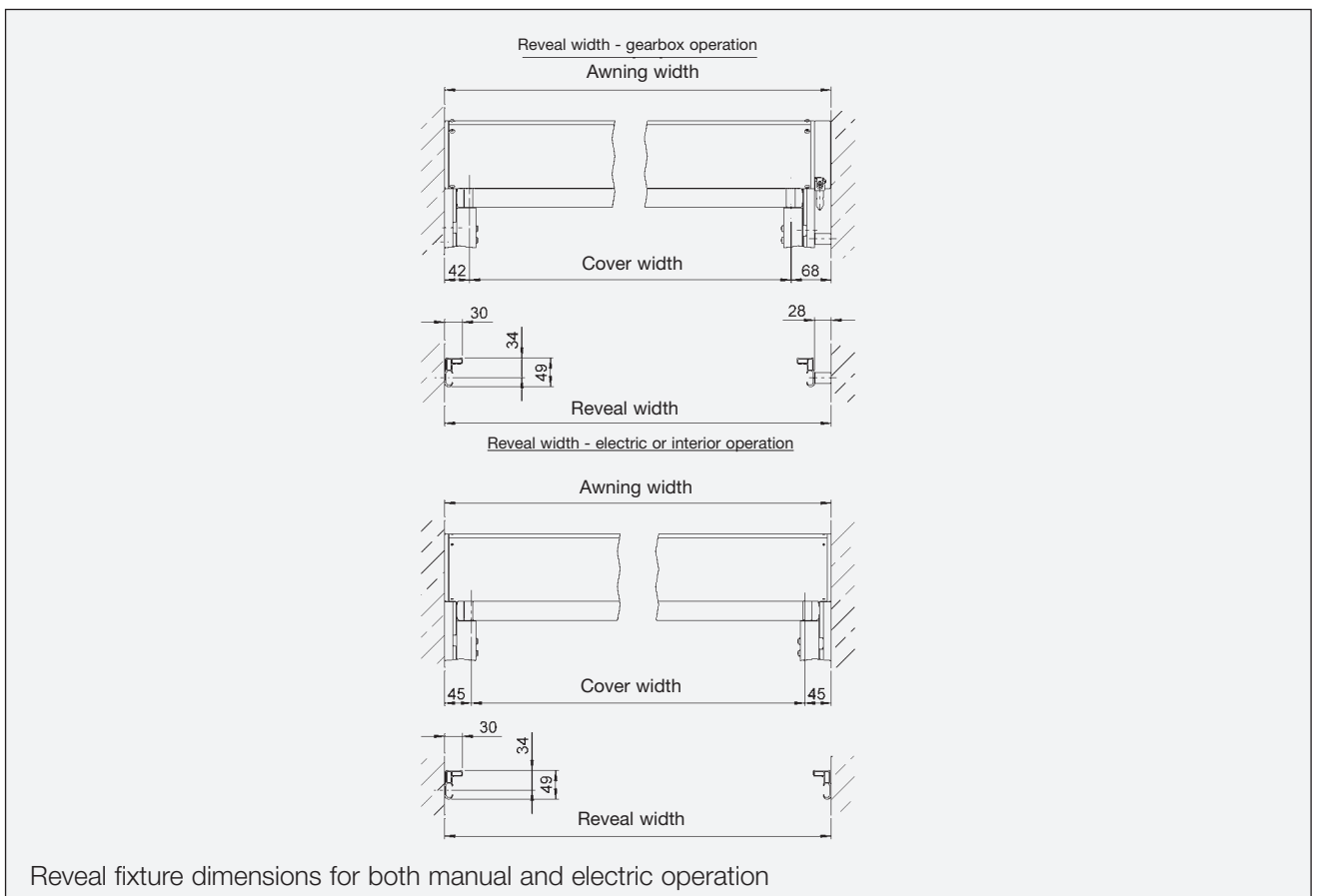
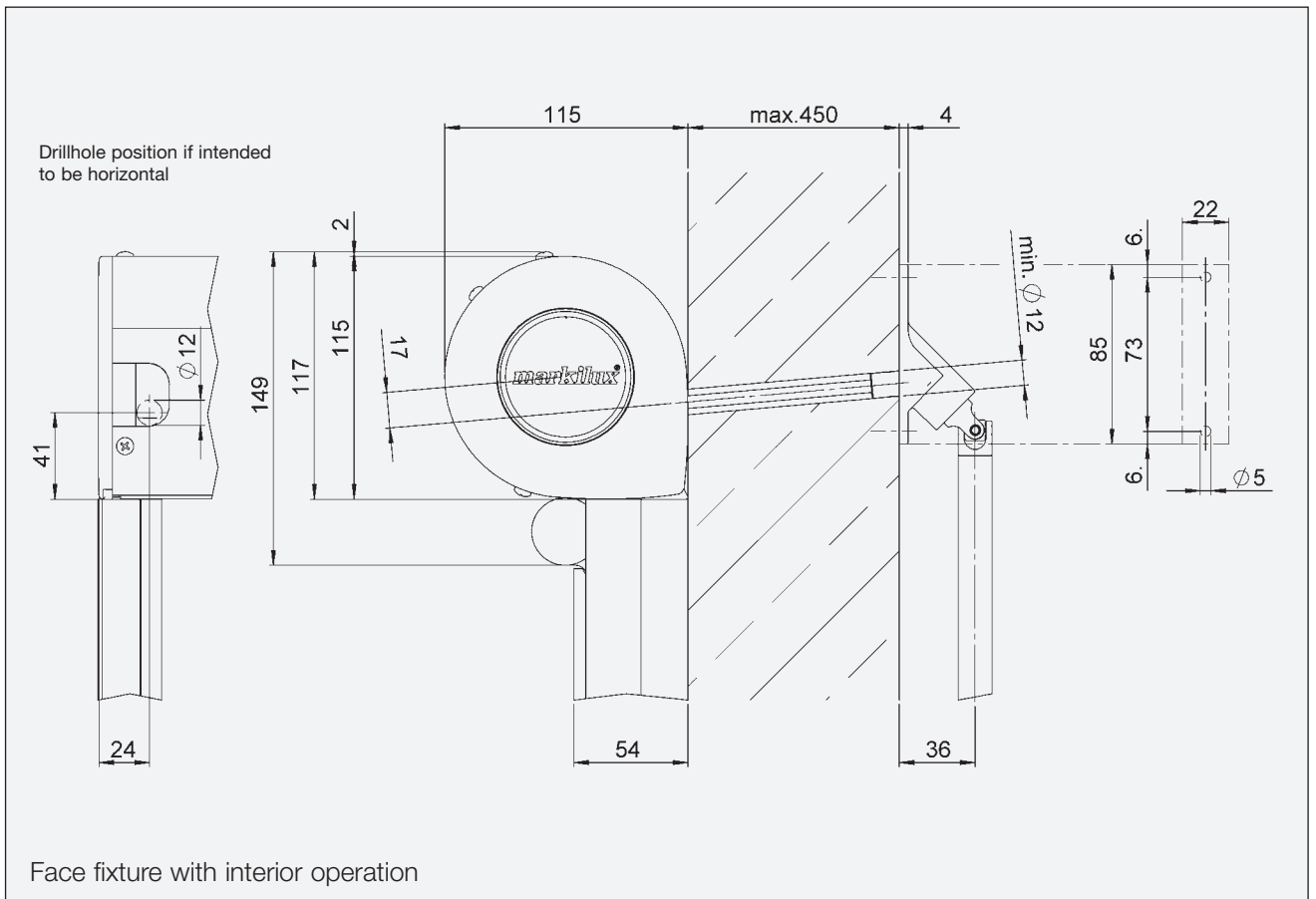
Cable exit on motor-driven units

# How to fit the Markisolette markilux® 840:

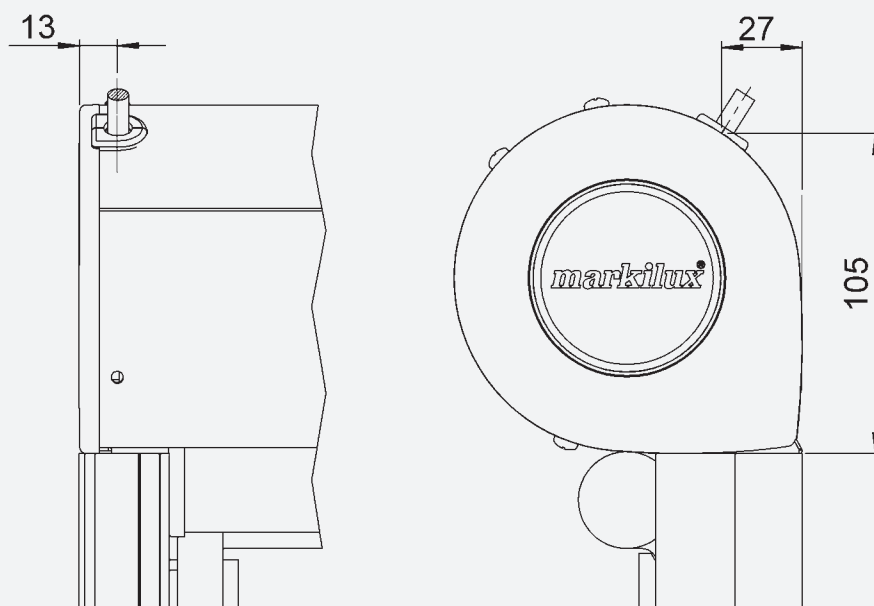




# How to fit the Markisolette markilux® 840:



## How to fit the Markisolette markilux® 840:



Cable exit on motor-driven units