



markilux® 710/810

The Vertical Cassette Blind with Cable Guides

The Vertical Cassette Blind markilux® 710/810

with cable guides



- markilux® 710

Optional Accessories:

Electric operation and automatic weather controls
Interior operation

- sturdy, self-supporting cassette
- one-piece, sturdy cassette profile which allows unlimited face and top fixture
- manual operation with universally jointed coupling and bayonet fitting
- alternatively a tubular motor with electronic limit switching is available
- covers can be made of stitched Perfotex, seamless or stitched acrylic, sunsilk and transolair fabrics or Soltis 92
- coupled units have an adjustable coupling flange
- manual operation from inside the building is also available



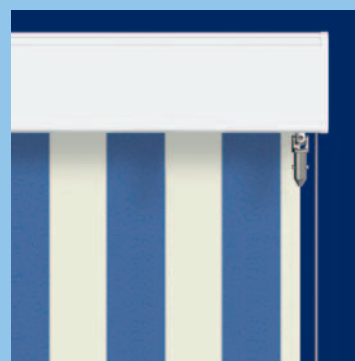
- Profile view markilux® 710



- Profile view markilux® 810



- Fixing bracket for cable guide markilux® 710/810



- Universal joint and cable guide markilux® 710

We reserve the right to make alterations without giving prior notice.

Vertical Cassette Blind

(with guide cables)

markilux® 710 = square cassette ¹⁾

markilux® 810 = round cassette



Dimensions		stand. widths cm.																Approx. handle revs.	Approx. extension time in sec. ¹⁾			
		75	100	125	150	175	200	225	250	275	300	325	350	375	400	425	450	475	500	gear ratio 6 : 1	Standard motor	Rad.-contr. motor
Dimensions	cover length 120 cm																			27	19	19
	cover length 160 cm																			37	25	25
	cover length 200 cm																			48	31	31
	cover length 250 cm																			59	37	37
	cover length 300 cm ¹⁾																			69	43	43
	cover length 350 cm ¹⁾²⁾																			80	49	49
		2 universal brackets								3 universal brackets									17 rpm ⁴⁾	17 rpm ⁴⁾		
Available Accessories	Manual operation; winding handle with funnel connector; handle lengths: 110, 140, 160, 180, 220 cm.	<input checked="" type="checkbox"/>		gear is fitted with a universal joint and mounted inside the cassette																		
	Interior manual operation**	<input checked="" type="checkbox"/>		only for single units																		
	Electric operation	<input checked="" type="checkbox"/>																				
	Frame polyester powder coated as standard in colour*	<input checked="" type="checkbox"/>																				
	Cover made from a brand make of acrylic fibre, sunsilk or Perfortex	<input checked="" type="checkbox"/>																				
	swela transolair	<input checked="" type="checkbox"/>		seamless covers up to a drop of 251 cm. larger drops have a horizontal seam from a fixture width of 261 cm.																		
	SOLTIS 92	<input checked="" type="checkbox"/>		seamless covers up to a drop of 171 cm. larger drops have a horizontal seam from a blind width of 179 cm.																		
Not available:	fabric series 364xx, PVC fabrics (ERA, Mehler etc.)																					
* White: RAL 9016, brown: RAL 8019, metallic aluminium: RAL 9006. Other RAL colours are available. Lead times will be given on request.																						
** This operation type demands exact fixture and generally speaking is more expensive for the end consumer. We suggest therefore, that a radio-controlled motor be recommended to the customer.																						
A maximum of two single markilux® units can be joined to make a coupled unit. These units will only be supplied with a motor (surcharge) Largest size: 2 x 500 cm.																						
Smallest awning width																						
Standard motor																		71 cm				
Radio-controlled motor																		71 cm				
Manual operation (gearbox types used)																						
	eye	gear reduction	end-stop with	end-stop without	worm gear	bevel gear	order number															
Standard	<input checked="" type="checkbox"/>	6 : 1	<input checked="" type="checkbox"/>	<input checked="" type="checkbox"/>	<input checked="" type="checkbox"/>		713400															
Interior operation		6 : 1	<input checked="" type="checkbox"/>	<input checked="" type="checkbox"/>	<input checked="" type="checkbox"/>		781200															
operation from the rear	<input checked="" type="checkbox"/>	6 : 1	<input checked="" type="checkbox"/>	<input checked="" type="checkbox"/>	<input checked="" type="checkbox"/>		786921															
Motors HiPro motor with electronic torque reduction mechanism and timed cut-off switch when being retracted																		Order No.				
Electric operation for single units																		707081 „R“				
																		707091 „L“				
Electric operation for coupled units.																		706781 „R“				
																		706771 „L“				
Radio-controlled motor for single units																		763471				
Radio-controlled motor for coupled units																		763321				
Possible dimensional variations: (in mm.)																						
Overall awning dimensions					Standard widths				Intermediate widths													
					Motor		Gear		Motor		Gear											
Tolerances in the width					+ 0 / - 10				+ 0 / - 10													
Tolerances in the extension					+ 20 / - 20				+ 20 / - 20													
Awning cover sizes: (in mm.)																						
																		Motor		Gear		
Cover width = (deduct from awning width)																		80				
Cover length = (add to awning extension)																		0				
Awning cover tolerances: (in mm.)																						
(Tolerances in the width and drop of the cover)					From		To		Tolerances													
					0		2000		+ 5 / - 5													
					2010		4000		+ 8 / - 8													
4010		5000		+ 12 / - 12																		

¹⁾ The markilux® 710 is only possible from a drop of 251 cm with seamless acrylic fabrics (the 349xx series) swela transolair or Soltis 92. Sunsilks up to max. drop of 300 cm.

²⁾ Units with a cover length greater than 300 cm can only be made with seamless acrylic material up to a width of 300 cm.

³⁾ **N.B.** Motor stops automatically after 3 - 4 minutes use to prevent overheating.

⁴⁾ **Nominal RPM** (In the case of contract awnings the same speed of rotation of the motors cannot be guaranteed)

N.B.

Measure carefully! We will not take awnings back because of incorrect size. Awnings are made to measure.

Make a special note if an awning is to be fitted into a reveal, and note the reveal width separately.

If coupled awnings or blinds are to be fitted into a reveal or between two walls the overall width of the coupled awning must be 6 cm less than the width of the opening to allow the awnings/blinds to be coupled together.

The operation side should be given as if viewed from the outside.

Please consult the special notes contained in the general information/markilux® fabric collections.

We reserve the right to make alterations without giving prior notice.

Vertical Cassette Blind

(with guide cables)

markilux® 710 = square cassette

markilux® 810 = round cassette



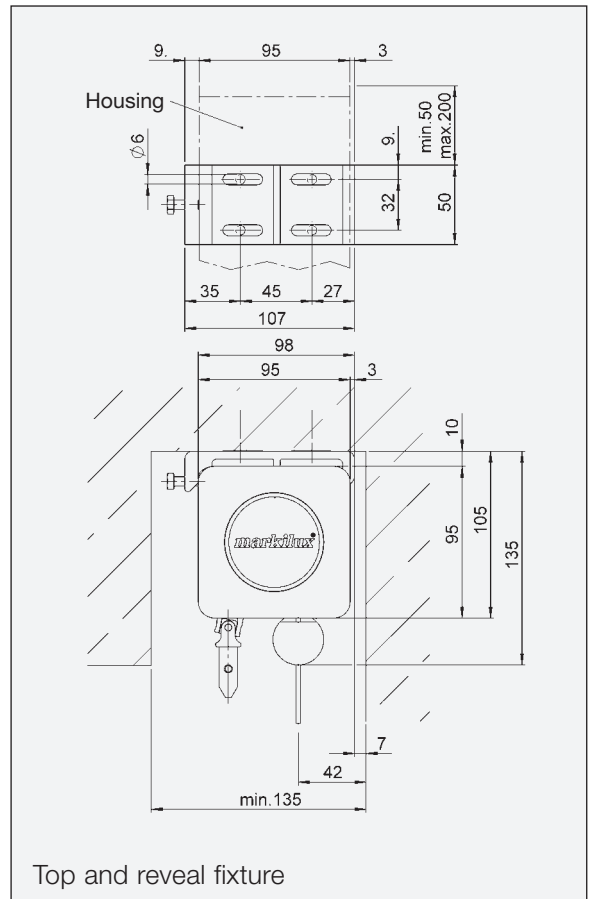
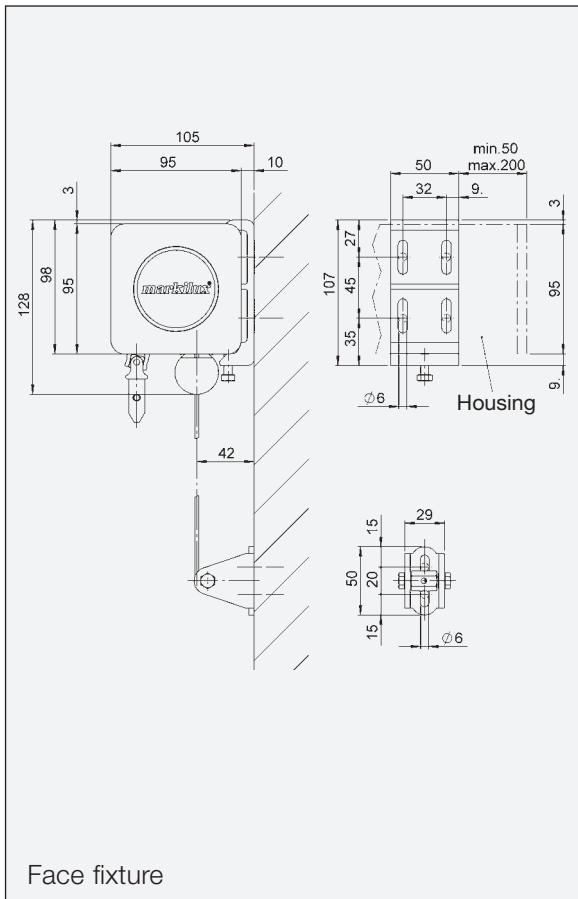
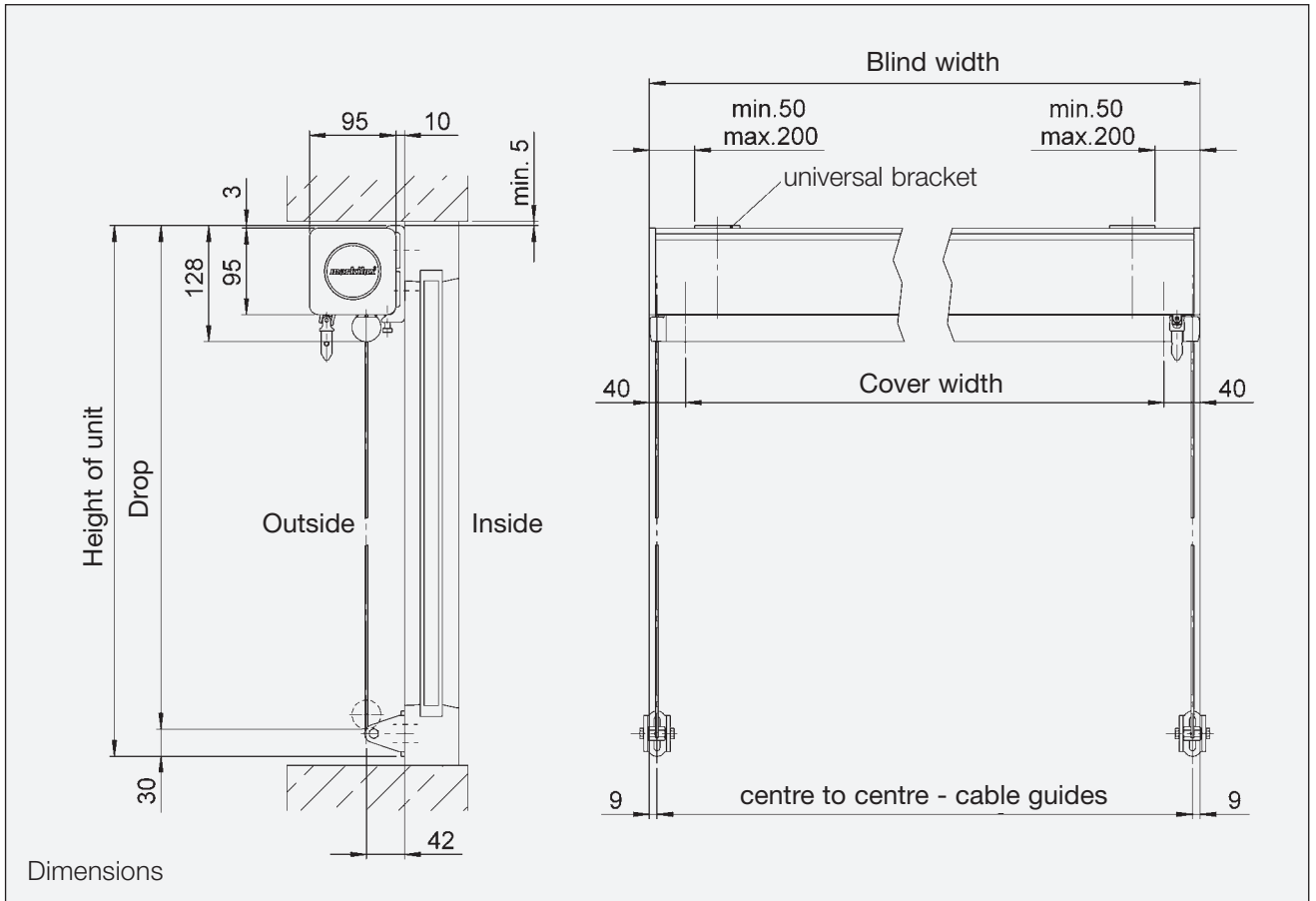
Fixtures and Accessories

markilux® 710			markilux® 810		
Part	Description	Part No.	Part	Description	Part No.
	Universal bracket assembly 50 mm	78758.		Face fixture assembly 50 mm	78556.
				Top fixture assembly 50 mm	78558.
	Universal bracket assembly with plate "RH" for lateral fixture	78916. N.B.! Not for operation side: - Interior operation - Operation from the rear		Universal bracket assembly with plate "RH" for lateral fixture	78746. N.B.! Not for operation side: - Interior operation - Operation from the rear
	Universal bracket assembly with plate "LH" for lateral fixture	78917. N.B.! Not for operation side: - Interior operation - Operation from the rear		Universal bracket assembly with plate "LH" for lateral fixture	78747. N.B.! Not for operation side: - Interior operation - Operation from the rear
	Universal bracket assembly for coupled units for central fixture	78919.		Universal bracket assembly for coupled units for central fixture	78744.
	Fittings for two guide cables	78761.		Fittings for two guide cables	78561.
	Fitting for double guide cables for coupled unit	78910.		Fitting for double guide cables for coupled unit	78648.
markilux® 710 and markilux® 810					
	Angled plate for reveal fixture 120 x 100 x 60 mm	77220.		Angled plate for stand-off fixture 80 x 40 x 25 mm	70930.
	Angled plate for cable guide fixture	78565.		Angled plate for stand-off fixture 60 x 40 x 25 mm	70940.
	Stand-off tube 30 x 9.5 mm N.B.! max. = 120 mm	701668		Angled plate for stand-off fixture 40 x 30 x 25 mm	70950.

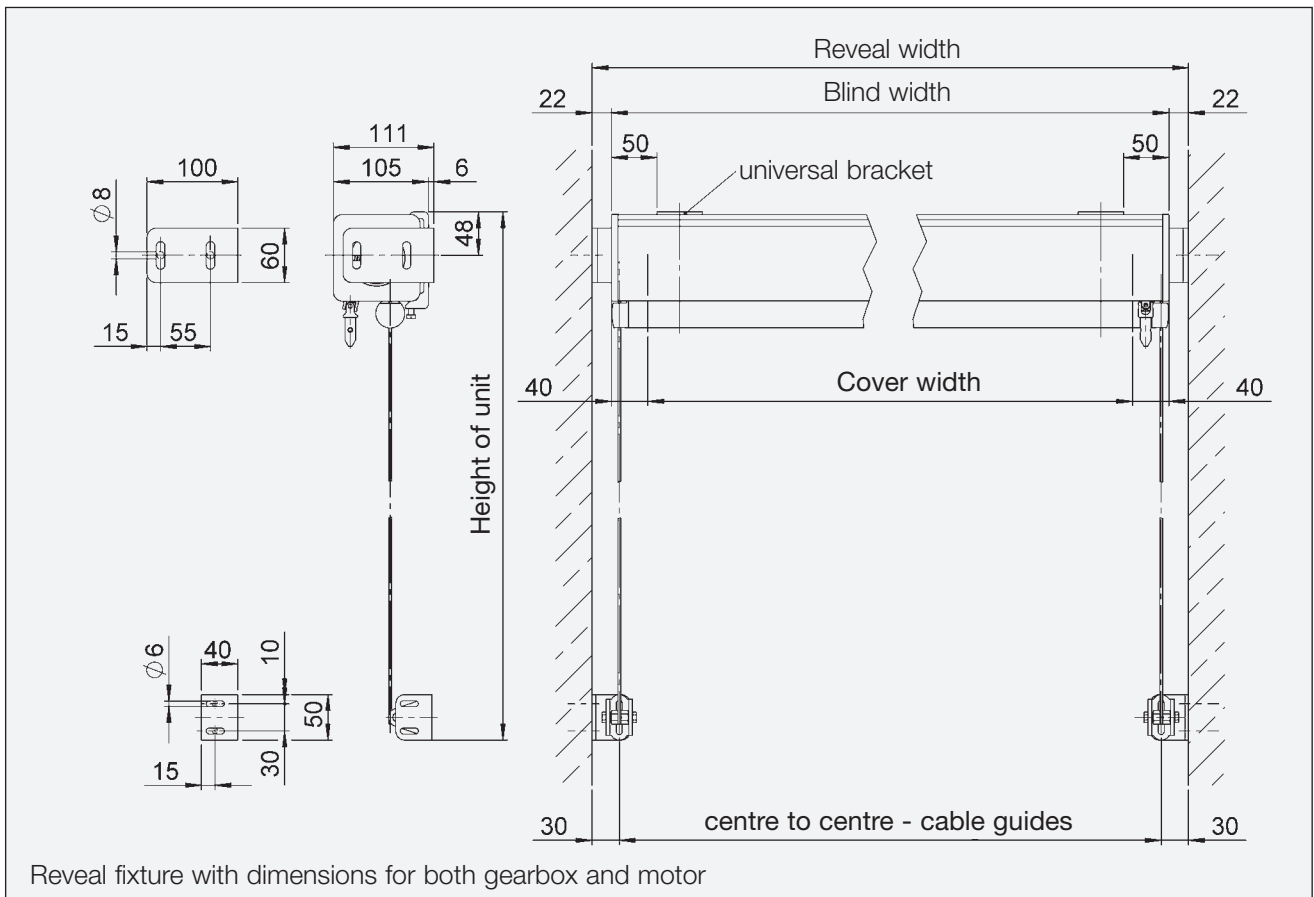
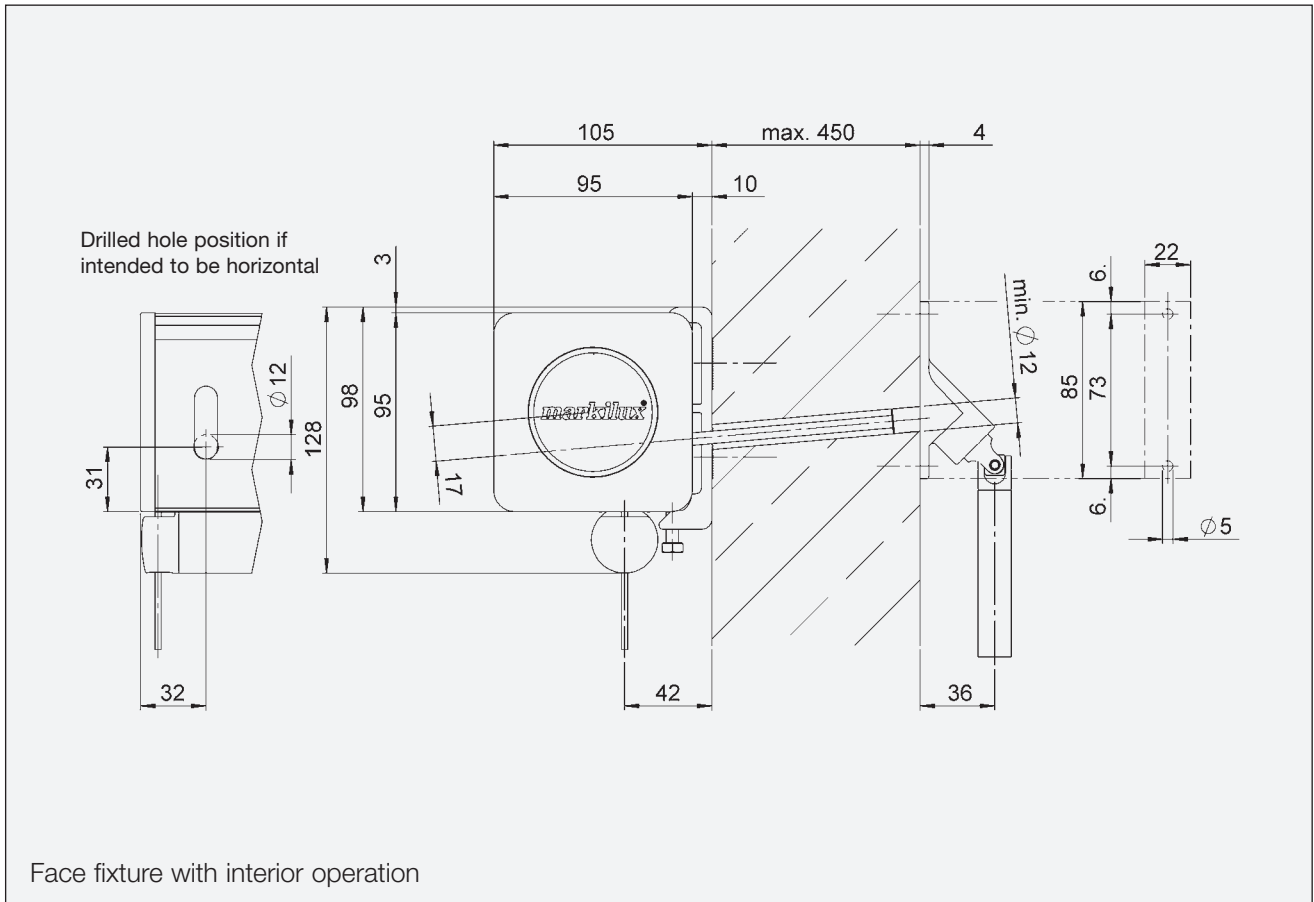
. = insert RAL colour code no.

We reserve the right to make alterations without giving prior notice.

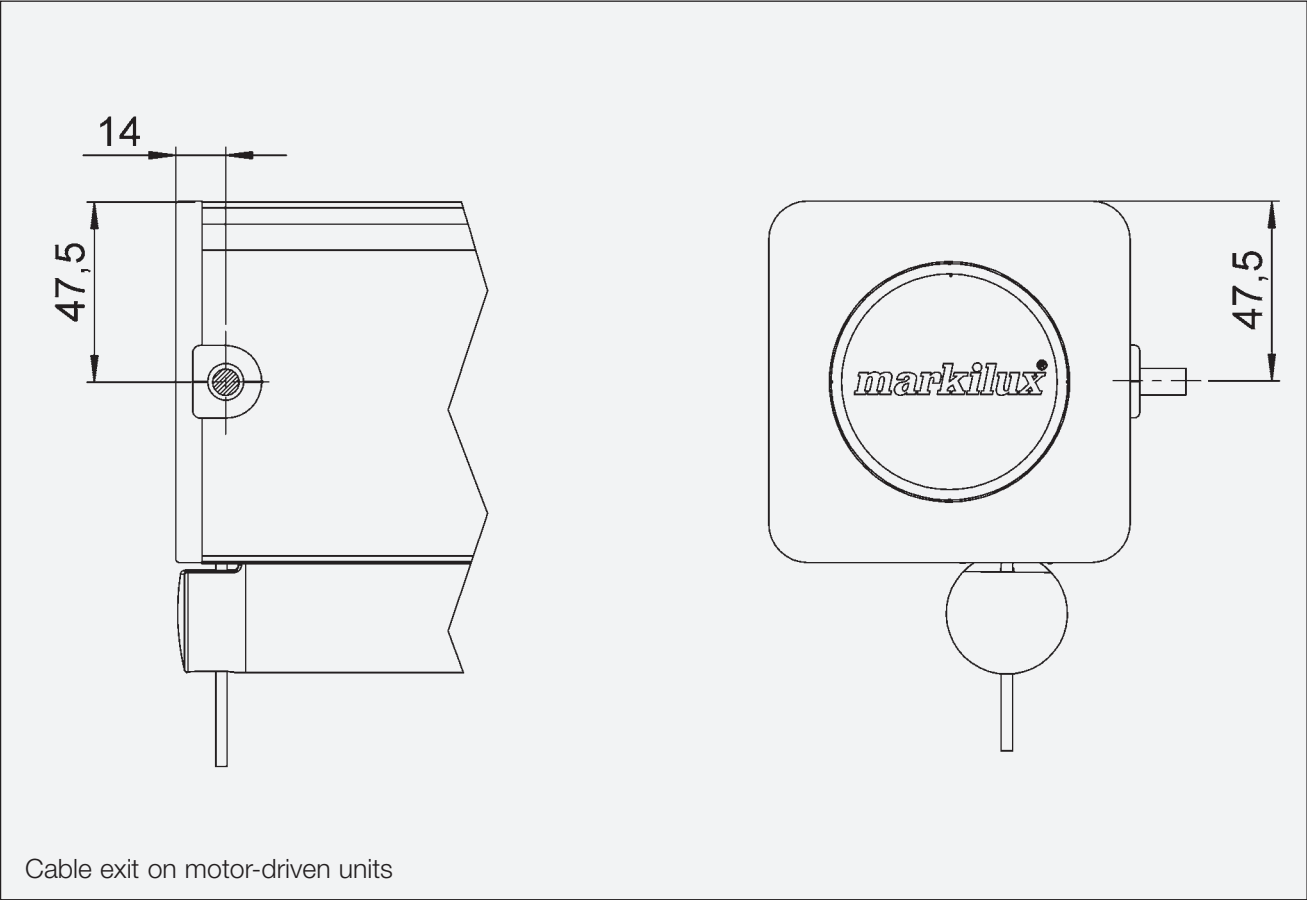
How to fit the Vertical Cassette Blind markilux® 710:



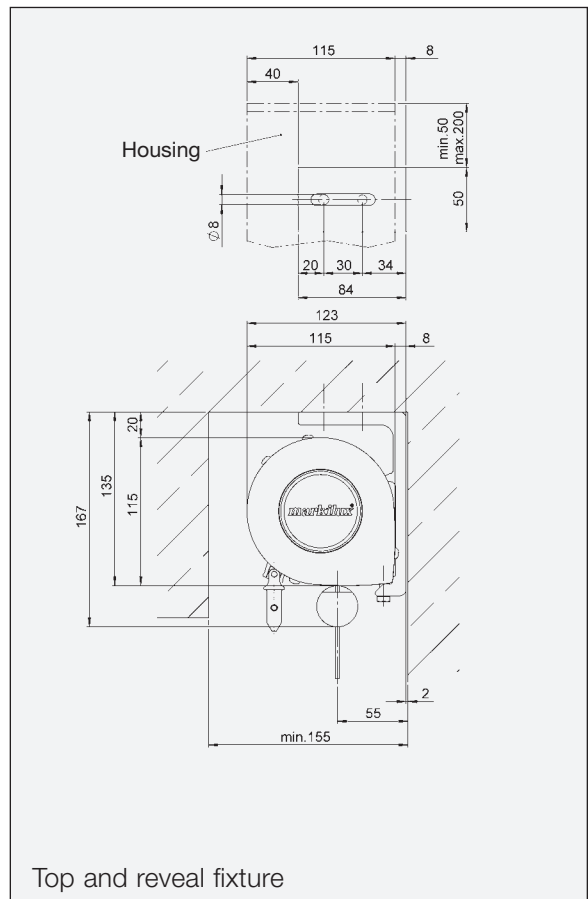
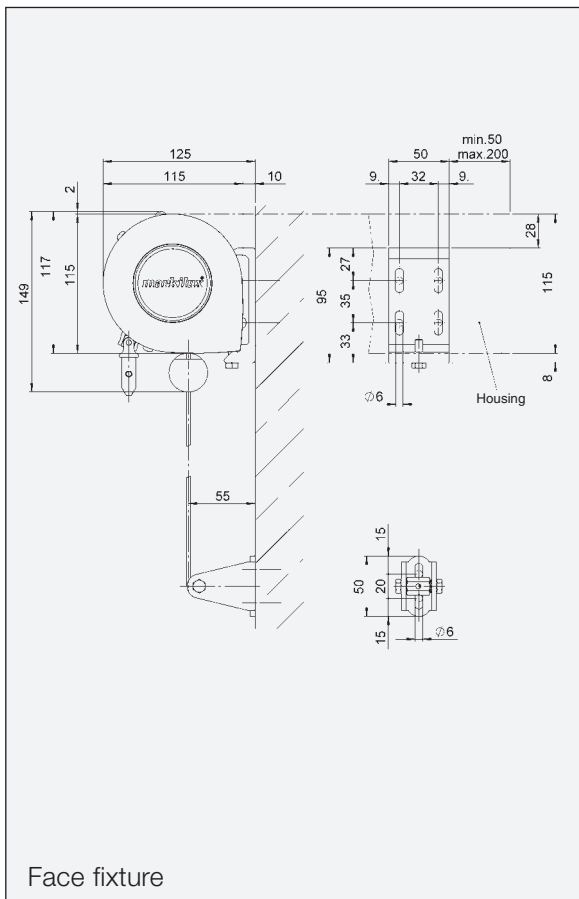
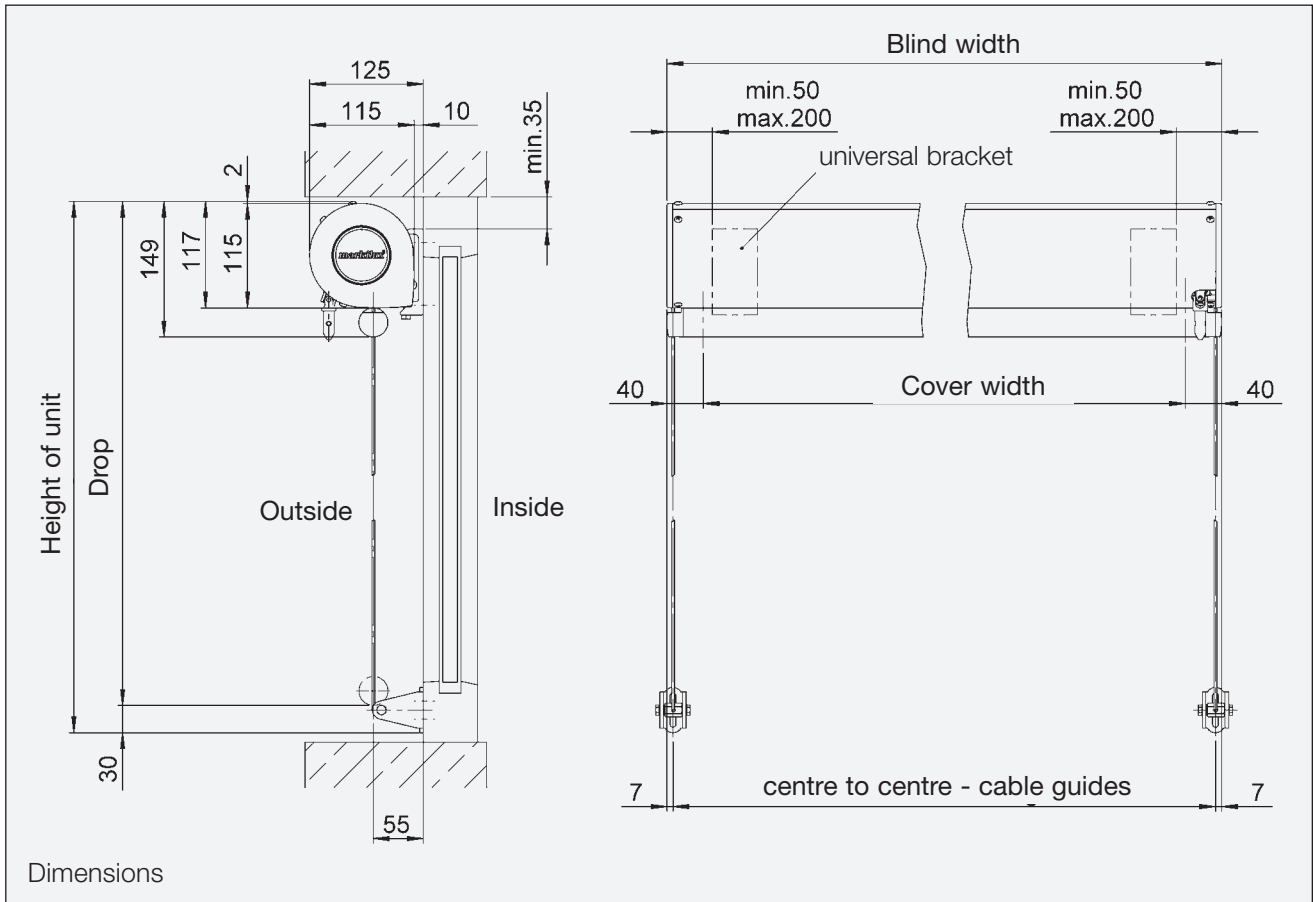
How to fit the Vertical Cassette Blind markilux® 710:



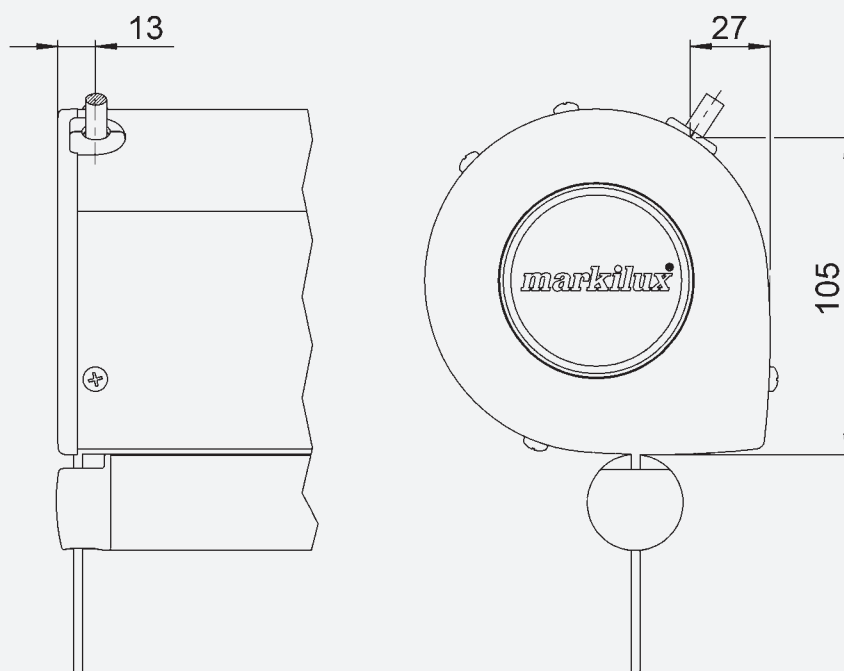
How to fit the Vertical Cassette Blind markilux® 710:



How to fit the Vertical Cassette Blind markilux® 810:



How to fit the Vertical Cassette Blind markilux® 810:



Cable exit on motor-driven units